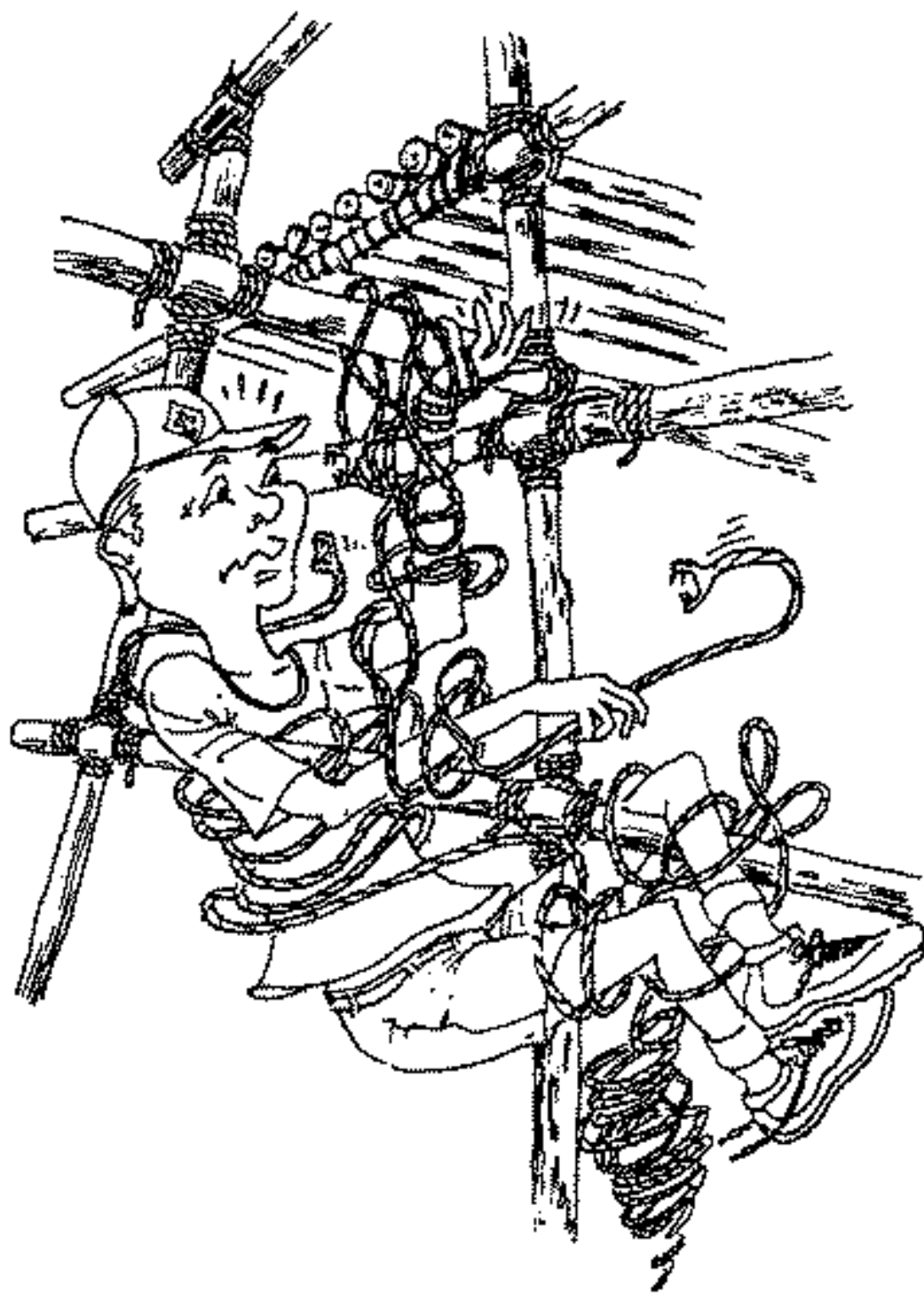


# PIONEERING PROJECTS BIG & SMALL



All images used in this booklet, including the one on the cover, have been obtained from the Internet, a majority being obtained from <http://www.hurricanedistrict.org/pioneering.htm>. This is a wonderful resource, and I encourage you to check it out. I also would like to express my gratitude to the Hurricane District for putting such a fantastic resource onto the Internet. Others did the hard work; I simply collected the fruits of their labors and put them into a central resource. I am indebted to all of them, for this is really their work and not mine.

I compiled these drawings into this booklet because it seems that there is less of an emphasis on pioneering now than there was before. The Pioneering Merit Badge Pamphlet, while it contains some information on projects, mostly concerns itself with the basics, and therefore does not provide much project information, in terms of plans. It's almost impossible to obtain a copy of Sweet's *Scout Pioneering* in the United States (though the Canadian Scout Association publishes the book – I got my copy from them), and the *Fieldbook* and *Handbook* are also lacking when it comes to Pioneering. The only real resource is the *Boy Scout Roundtable Guide*, which has some illustrations in them. But besides utilizing these few resources, those who are interested are left to fend for themselves, so it seems. Those who wish to do pioneering projects are often left to their own imaginations for designs, a problem for those who, like me, have small amounts of creativity that must be used judiciously.

The immediate reason for my compiling this work is that, when I was named Scoutcraft Director of the Bert Adams Scout Reservation in Covington, Ga., I was informed that there would be a pioneering competition, with prizes. Not wanting to have the troops only construct monkey bridges, I searched for other possible projects, which culminated in the creation of this booklet.

As far as I can ascertain, all of the images in this book are in the public domain. If this is not the case, please let me know and I will remove the copyrighted, non-public domain material from this collection. It is certainly not my intention to infringe upon anyone's copyright.

I hope you find this collection useful. I welcome any comments, criticisms, suggestions, and, most especially, new pioneering projects, for this is always a work in progress.

Yours in Scouting,  
Andrew J. Miller  
[mcs@bigfoot.com](mailto:mcs@bigfoot.com)

Note: This collection may not be used for commercial gain. You are free to copy and distribute it (indeed, I encourage you to do so), but no profit is to be made from the distribution of this collection. Think of it as your daily good turn.

# Table of Contents

<b>TABLE OF CONTENTS</b>	<b>3</b>
ALPHABETICAL TABLE OF CONTENTS	4
<b>BRIDGES</b>	<b>7</b>
MONKEY BRIDGE	8
SINGLE LOCK BRIDGE	8
SINGLE TRESTLE BRIDGE	9
Detail for Single Trestle Bridge	10
DRAW BRIDGE	12
SUSPENSION BRIDGE	12
FRICION BRIDGE	13
TROOP 185 DRAW BRIDGE	13
<b>CATAPULTS / BALLISTAS</b>	<b>15</b>
TWO PERSON CATAPULT	16
TROOP 10 CATAPULT	17
BALLISTA	18
<b>TOWERS AND GATEWAYS</b>	<b>19</b>
PFOX TOWER	20
SIGNAL TOWER	21
BRYNBACH TOWER	22
HOURLASS SIGNAL TOWER	23
TRIANGULAR SIGNAL TOWER	24
TEN MINUTE TOWER	25
STILT TOWER	26
TROOP 850 GATEWAY	27
COVERED GATEWAY	28
SIMPLE GATEWAY	29
TROOP 16 GATEWAY	30
Troop 16 Gateway Roof Detail	31
LIFTING GATEWAY	32
SWINGING GATE	33
GATEWAY WITH DOORBELL	34
ROTATING GATE / TURNSTILE GATE	35
BASIC 'FREE STANDING' GATEWAY	36
COVERED GATEWAY WITH SWINGING GATE	37
TWO DOOR GATEWAY	38
"WEIRD LOOKING" GATEWAY	39
EASY 'FREE STANDING' GATEWAY	40
'IN GROUND' GATEWAY WITH SWINGING GATE	41
SIMPLE 'IN GROUND' GATEWAY	42
SERIOUSLY LARGE COVERED GATEWAY	43
<b>CAMP TOOLS / GADGETS</b>	<b>45</b>
FIRE BUCKET HOLDERS	46
CLOTHESLINE	47
BULLETIN BOARD	48
LANTERN HOLDER	49
TOOL RACK	50
BEAR BAG	51
VARIOUS CAMP TOOLS	52
KITCHEN WORK TABLE	54
GARBAGE BAG HOLDER	55
WASH BASIN	56

WASH BASIN WITH SHELF _____	57
CAMP TABLE _____	58
CAMP TABLE WITH SEATS _____	59
CHIPPEWA COOKING FIRE STAND _____	60
CAMP TABLE WITH BENCH AND SEAT _____	61
SHOWER _____	62
LATRINE _____	63
<b>MISCELLANEOUS PROJECTS _____</b>	<b>65</b>
CLIMBING WALL _____	66
Climbing Wall Components _____	67
TEAM PULLEY GAME _____	68
SWINGING DERRICK/CRANE _____	68
SCAFFOLD HITCH _____	69
PIONEERING ANCHORS _____	70
LADDER HITCH _____	71
WASH BASIN _____	73
KIM'S GYM _____	74
DUCKING STOOL _____	74
TROOP DISCIPLINE? _____	75
CAMBRIDGE MERRY-GO-ROUND _____	76

## Alphabetical Table of Contents

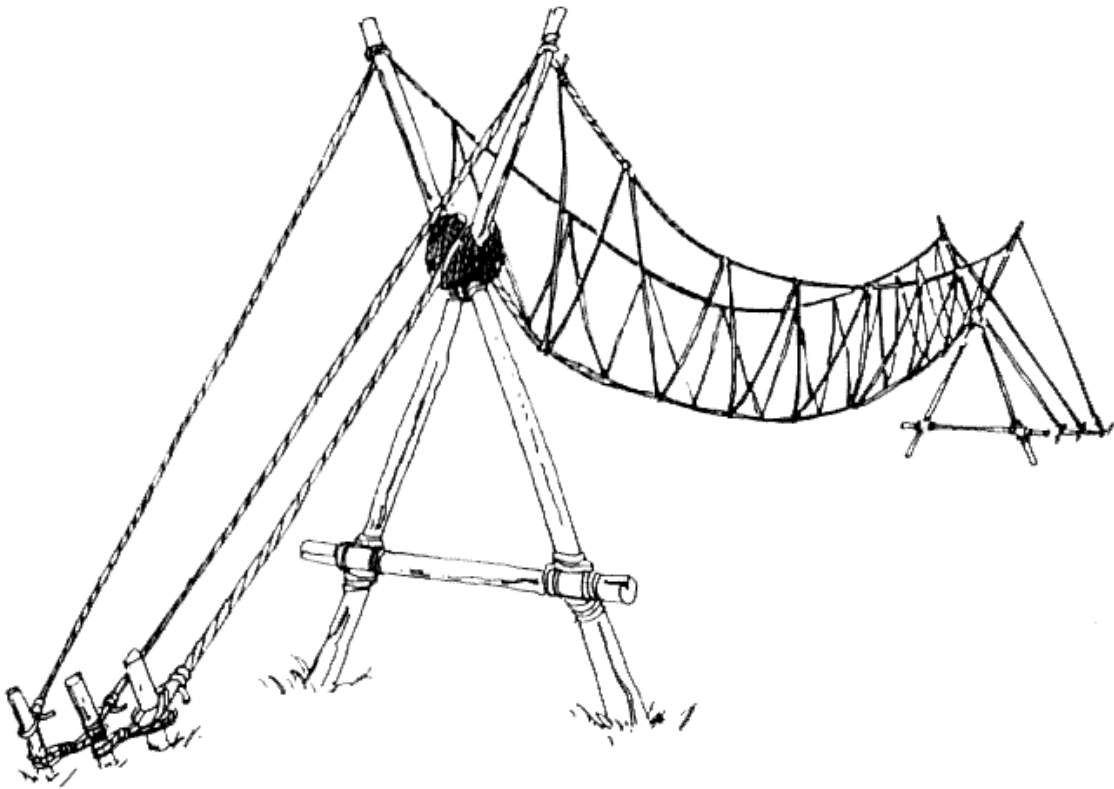
ALPHABETICAL TABLE OF CONTENTS _____	4
BALLISTA _____	18
BASIC 'FREE STANDING' GATEWAY _____	36
BEAR BAG _____	51
BRYNBACH TOWER _____	22
BULLETIN BOARD _____	48
CAMBRIDGE MERRY-GO-ROUND _____	76
CAMP TABLE _____	58
CAMP TABLE WITH BENCH AND SEAT _____	61
CAMP TABLE WITH SEATS _____	59
CHIPPEWA COOKING FIRE STAND _____	60
CLIMBING WALL _____	66
CLIMBING WALL COMPONENTS _____	67
CLOTHESLINE _____	47
COVERED GATEWAY _____	28
COVERED GATEWAY WITH SWINGING GATE _____	37
DETAIL FOR SINGLE TRESTLE BRIDGE _____	10
DRAW BRIDGE _____	12
DUCKING STOOL _____	74
EASY 'FREE STANDING' GATEWAY _____	40
FIRE BUCKET HOLDERS _____	46
FRICTION BRIDGE _____	13
GARBAGE BAG HOLDER _____	55
GATEWAY WITH DOORBELL _____	34
HOURGLASS SIGNAL TOWER _____	23
IN GROUND GATEWAY WITH SWINGING GATE _____	41
KIM'S GYM _____	74
KITCHEN WORK TABLE _____	54
LADDER HITCH _____	71
LANTERN HOLDER _____	49
LATRINE _____	63
LIFTING GATEWAY _____	32

MONKEY BRIDGE _____	8
PFOX TOWER _____	20
PIONEERING ANCHORS _____	70
ROTATING GATE / TURNSTILE GATE _____	35
SCAFFOLD HITCH _____	69
SERIOUSLY LARGE COVERED GATEWAY _____	43
SHOWER _____	62
SIGNAL TOWER _____	21
SIMPLE 'IN GROUND' GATEWAY _____	42
SIMPLE GATEWAY _____	29
SINGLE LOCK BRIDGE _____	8
SINGLE TRESTLE BRIDGE _____	9
STILT TOWER _____	26
SUSPENSION BRIDGE _____	12
SWINGING DERRICK/CRANE _____	68
SWINGING GATE _____	33
TABLE OF CONTENTS _____	3
TEAM PULLEY GAME _____	68
TEN MINUTE TOWER _____	25
TOOL RACK _____	50
TRIANGULAR SIGNAL TOWER _____	24
TROOP 10 CATAPULT _____	17
TROOP 16 GATEWAY _____	30
TROOP 16 GATEWAY ROOF DETAIL _____	31
TROOP 185 DRAW BRIDGE _____	13
TROOP 850 GATEWAY _____	27
TROOP DISCIPLINE? _____	75
TWO DOOR GATEWAY _____	38
TWO PERSON CATAPULT _____	16
VARIOUS CAMP TOOLS _____	52
WASH BASIN _____	56
WASH BASIN _____	73
WASH BASIN WITH SHELF _____	57
WEIRD LOOKING GATEWAY _____	39

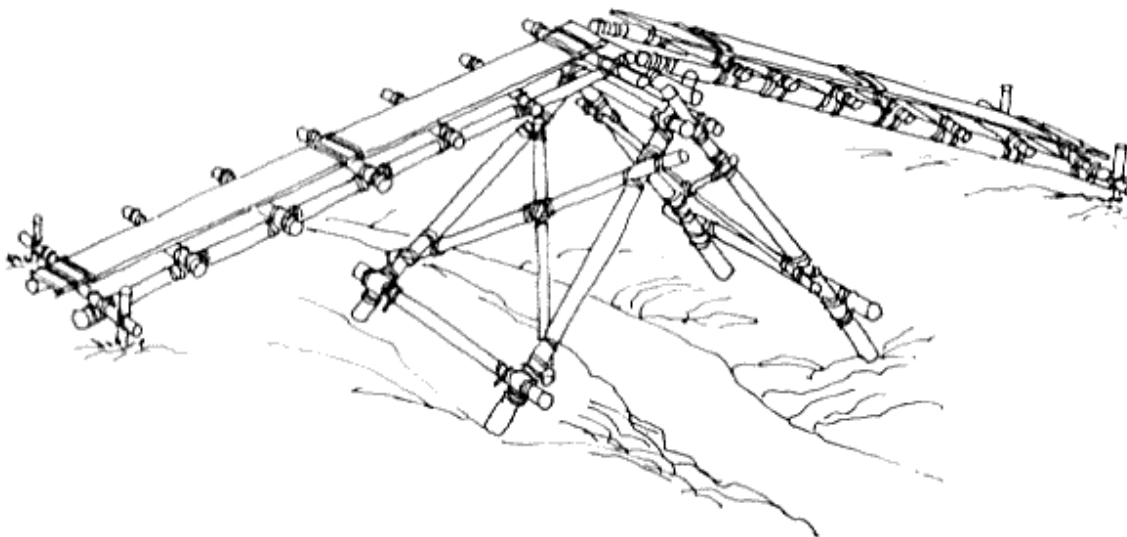


# Bridges

# Monkey Bridge

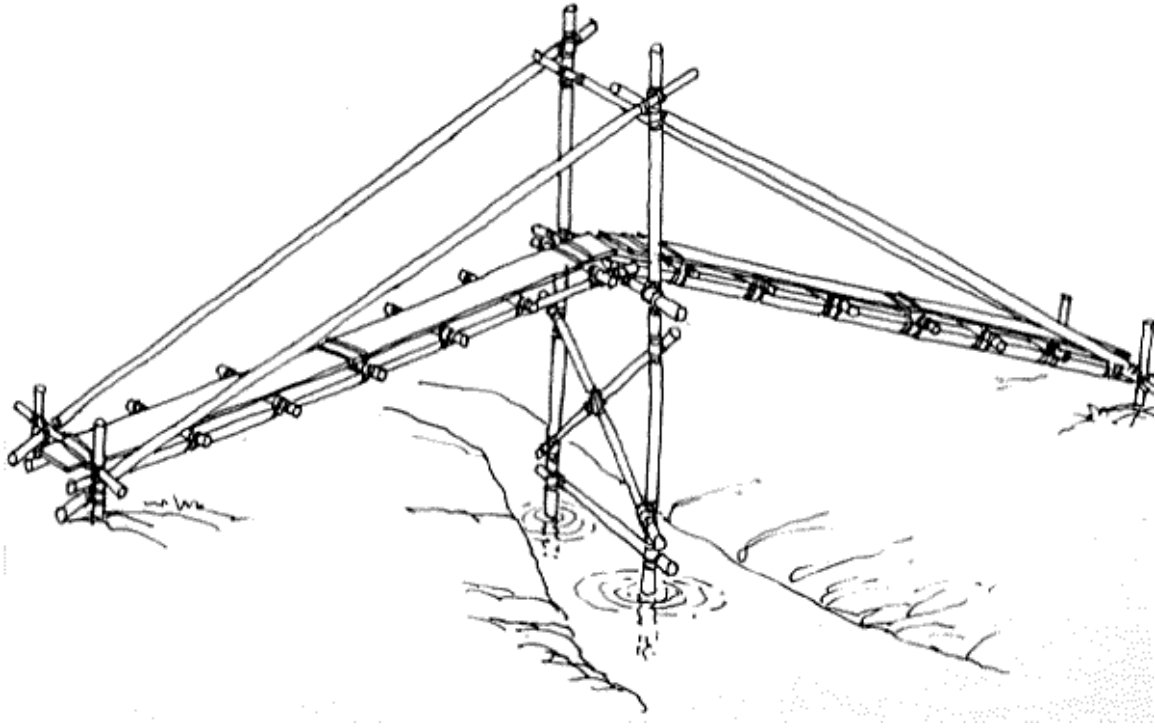


# Single Lock Bridge

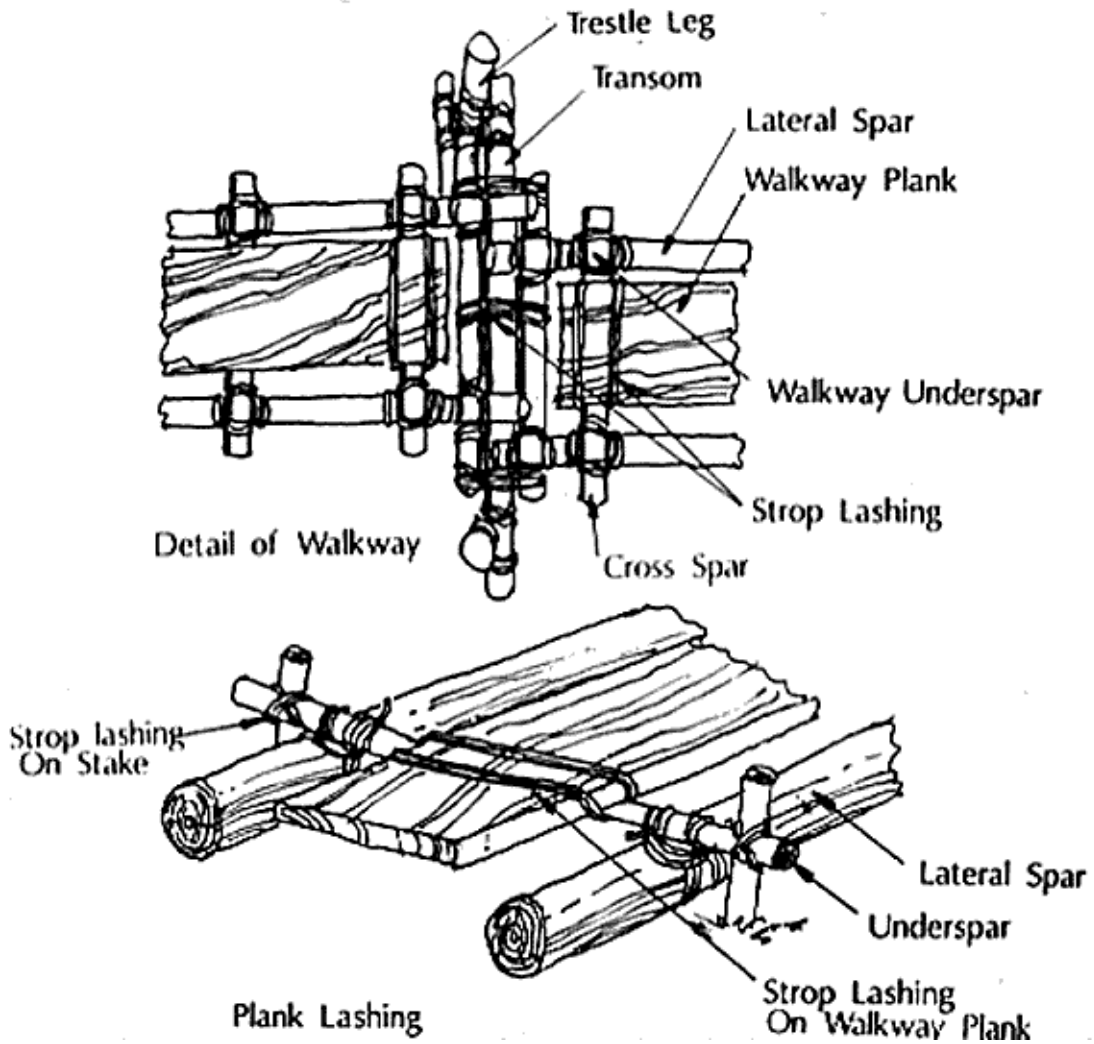


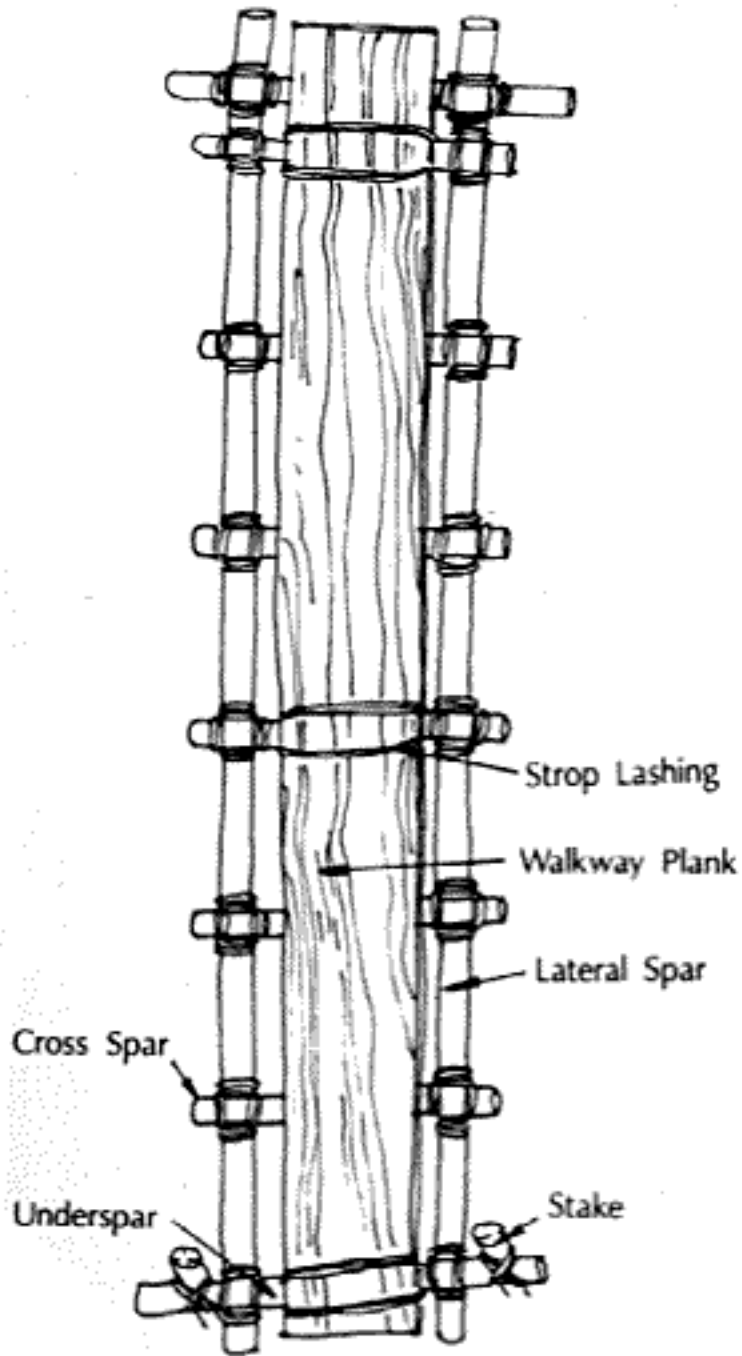


# Single Trestle Bridge

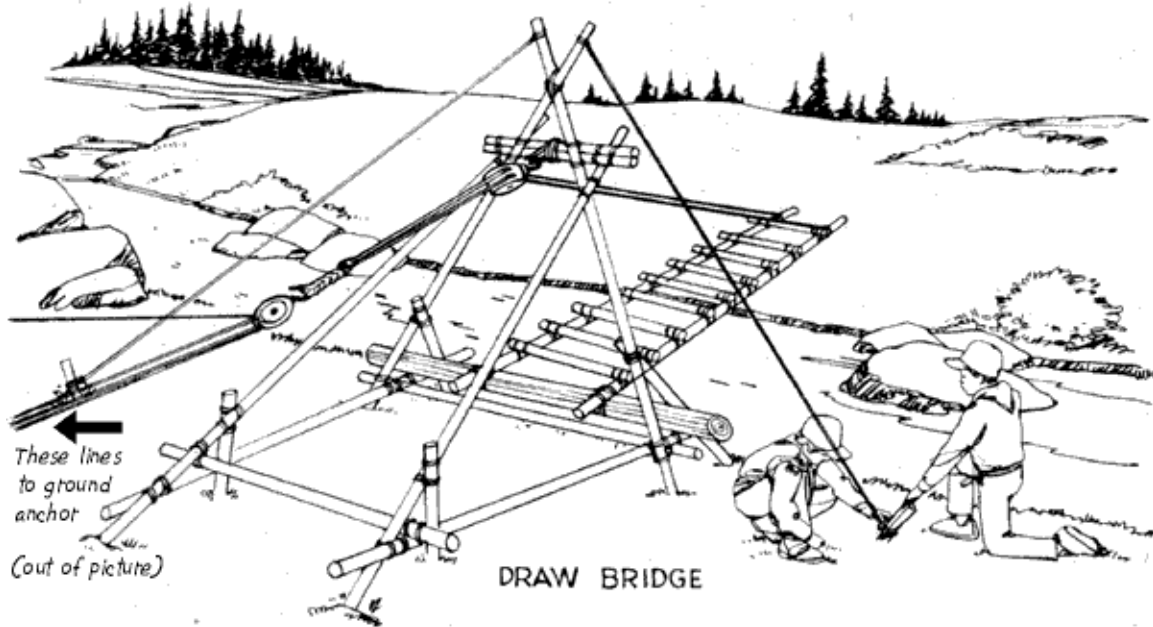


## Detail for Single Trestle Bridge

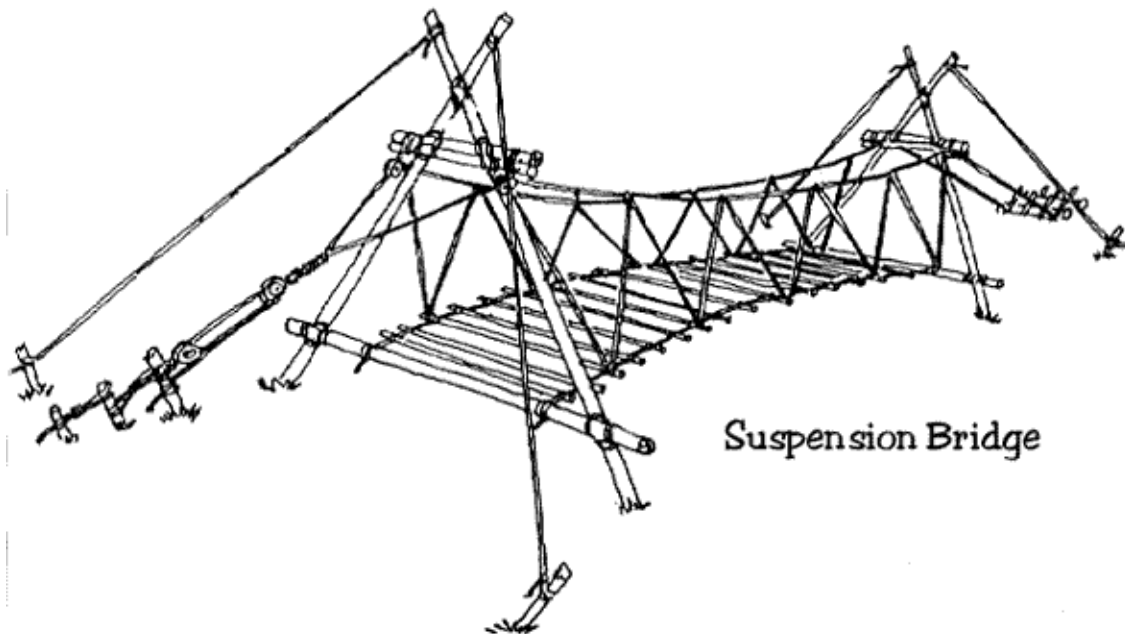




# Draw Bridge

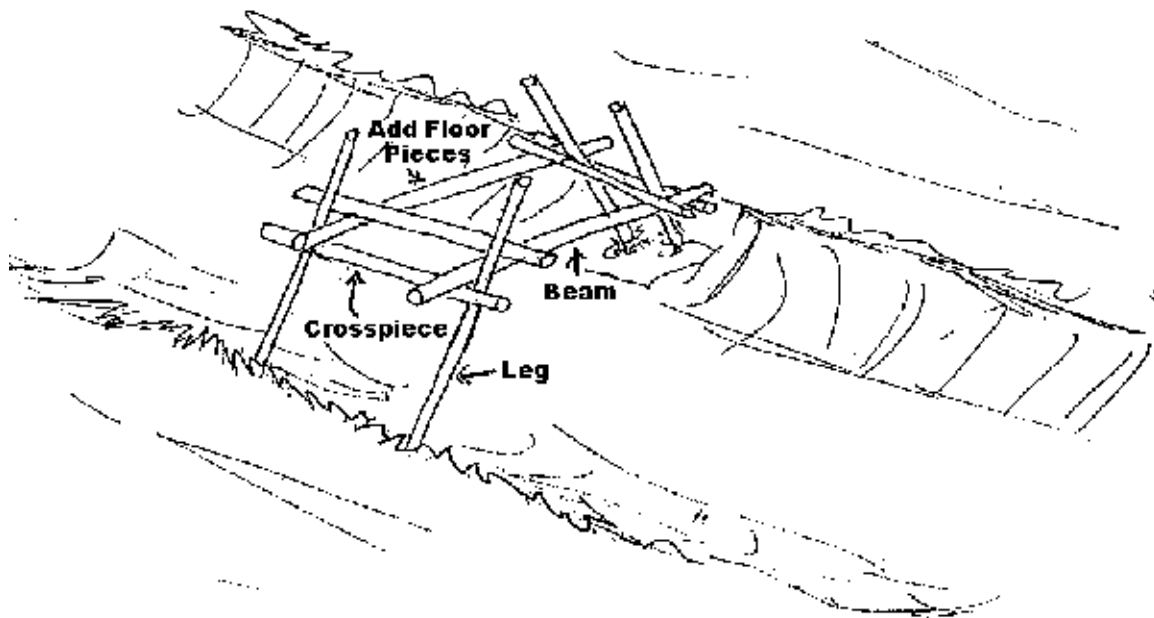


# Suspension Bridge

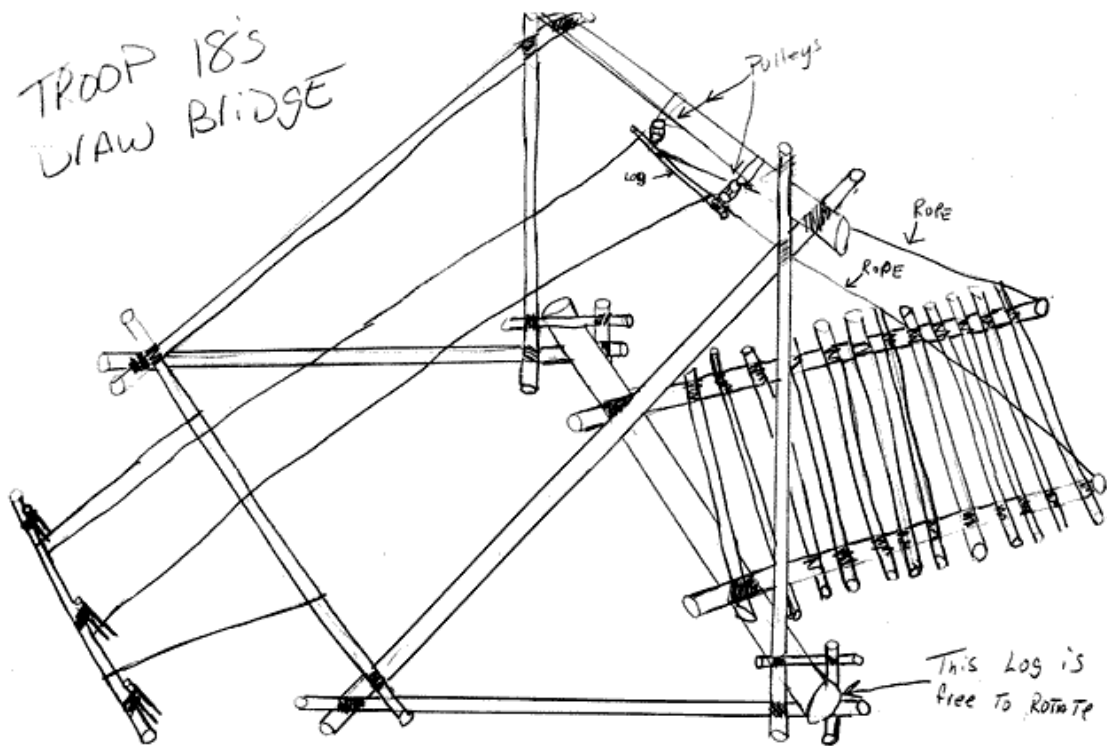


# Friction Bridge

**Friction Bridge**  
(note the "rather simple" lashings)



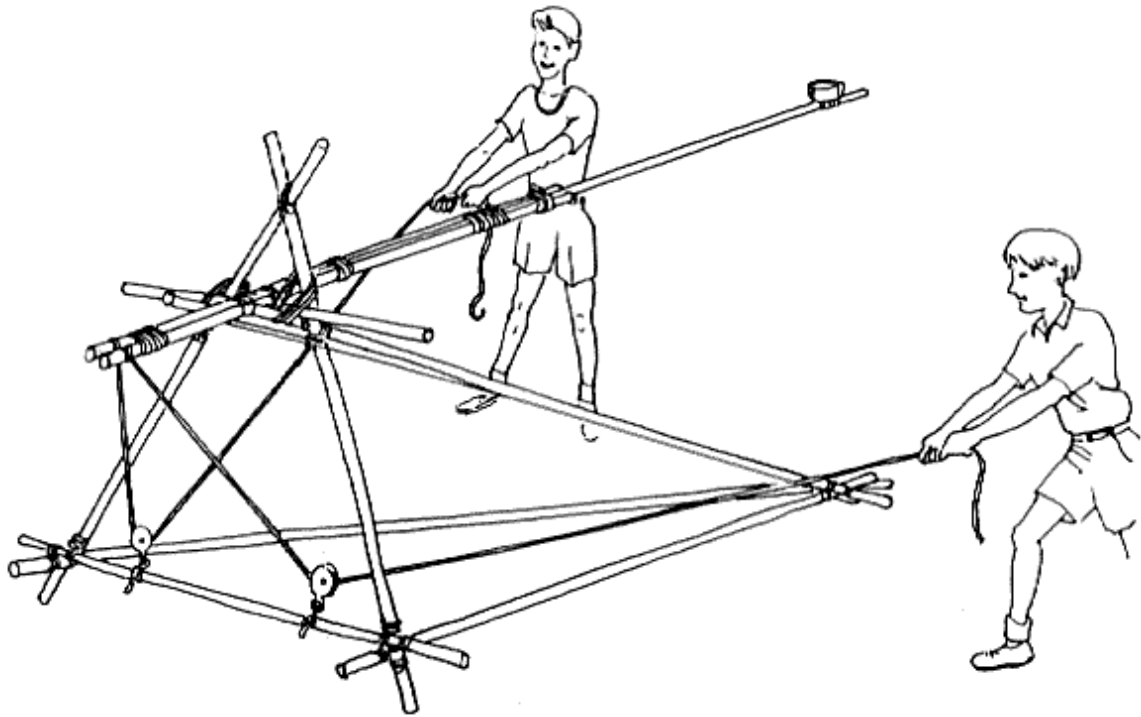
# Troop 185 Draw Bridge





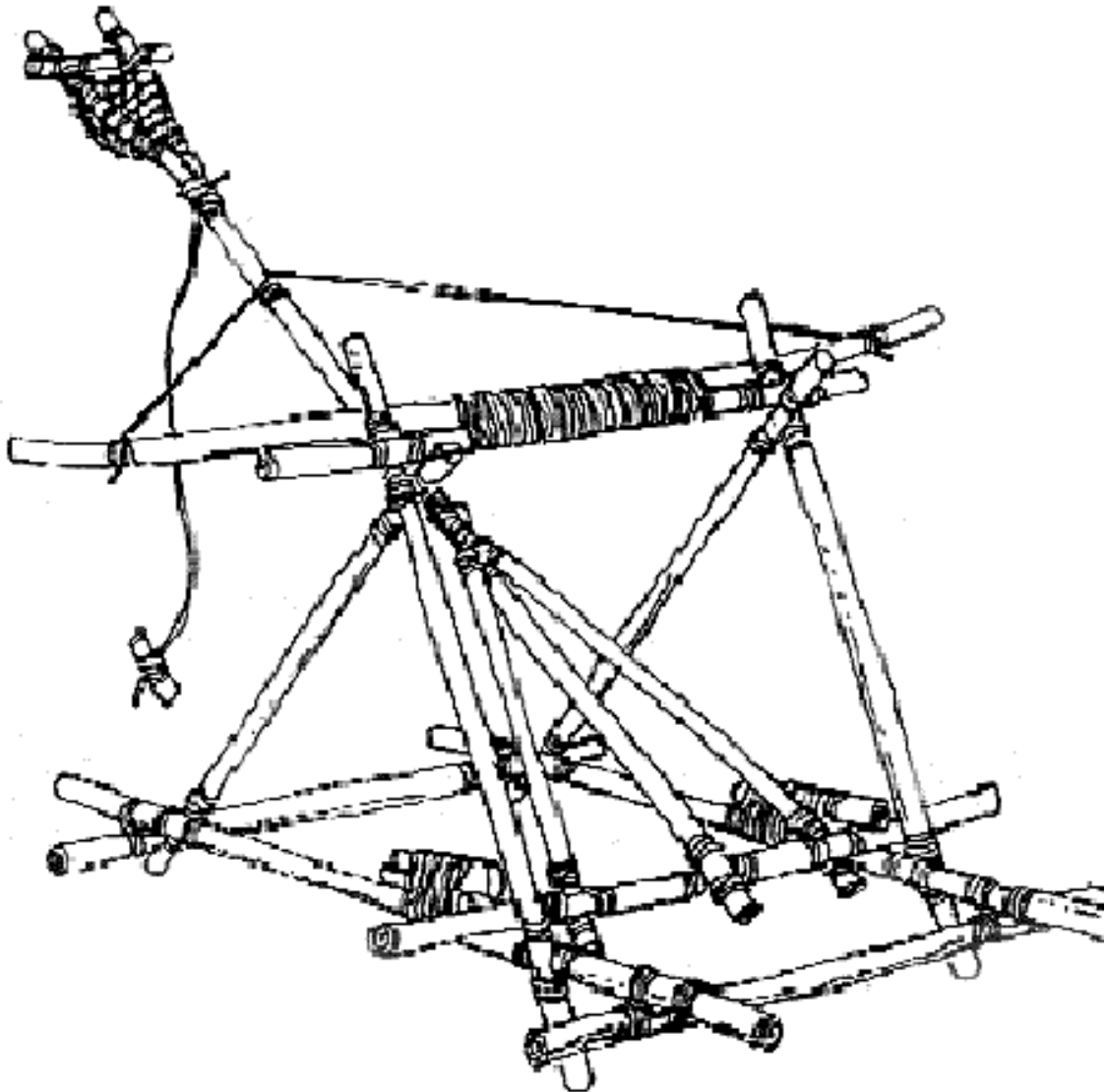
# **Catapults / Ballistas**

# Two Person Catapult



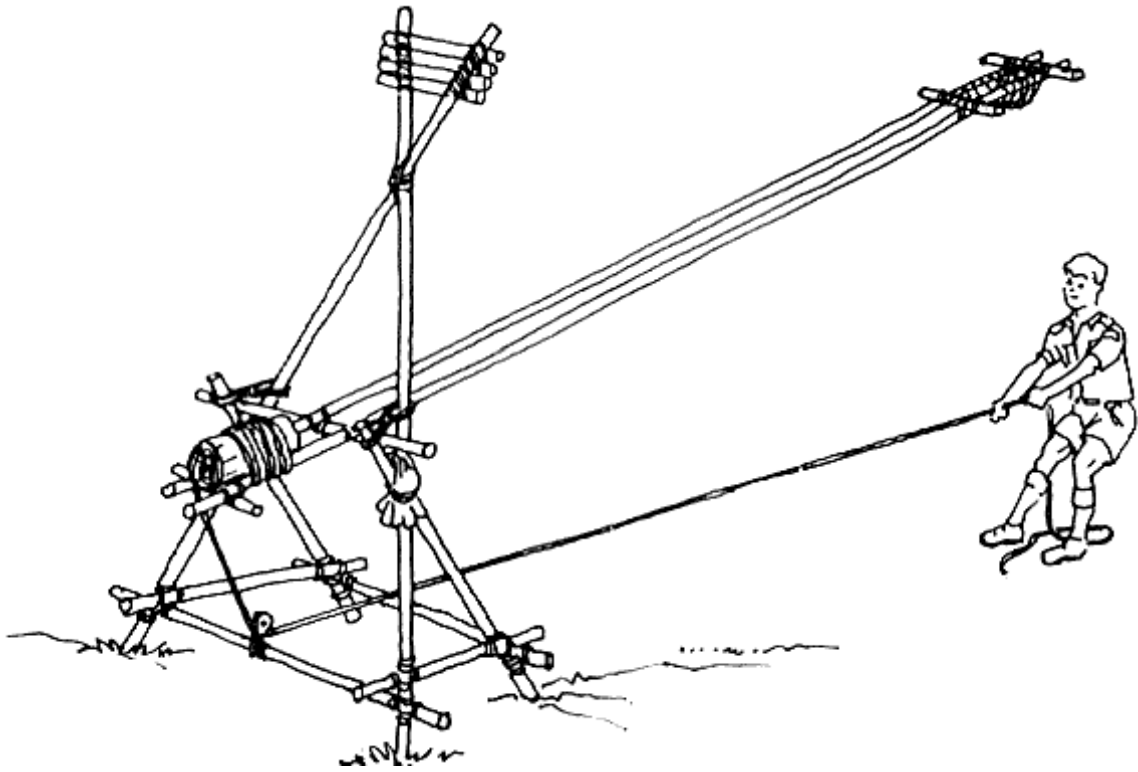


# Troop 10 Catapult



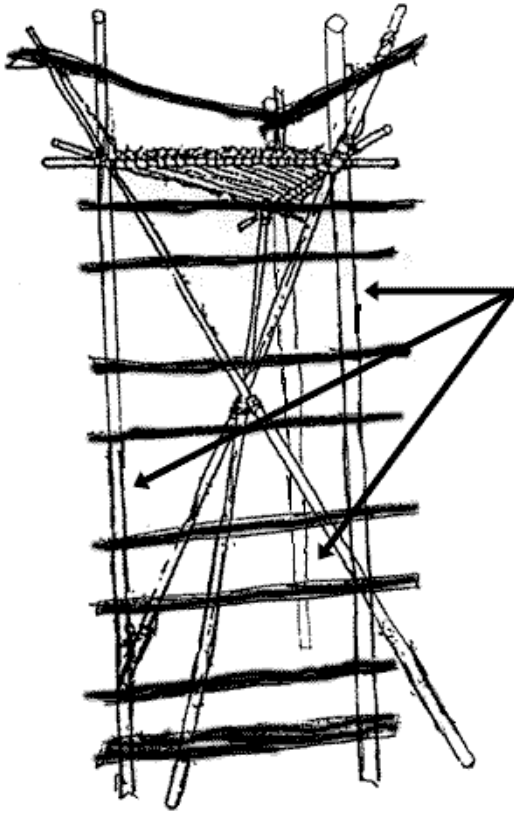
**Troop 10 catapult**

# Ballista



# **Towers and Gateways**

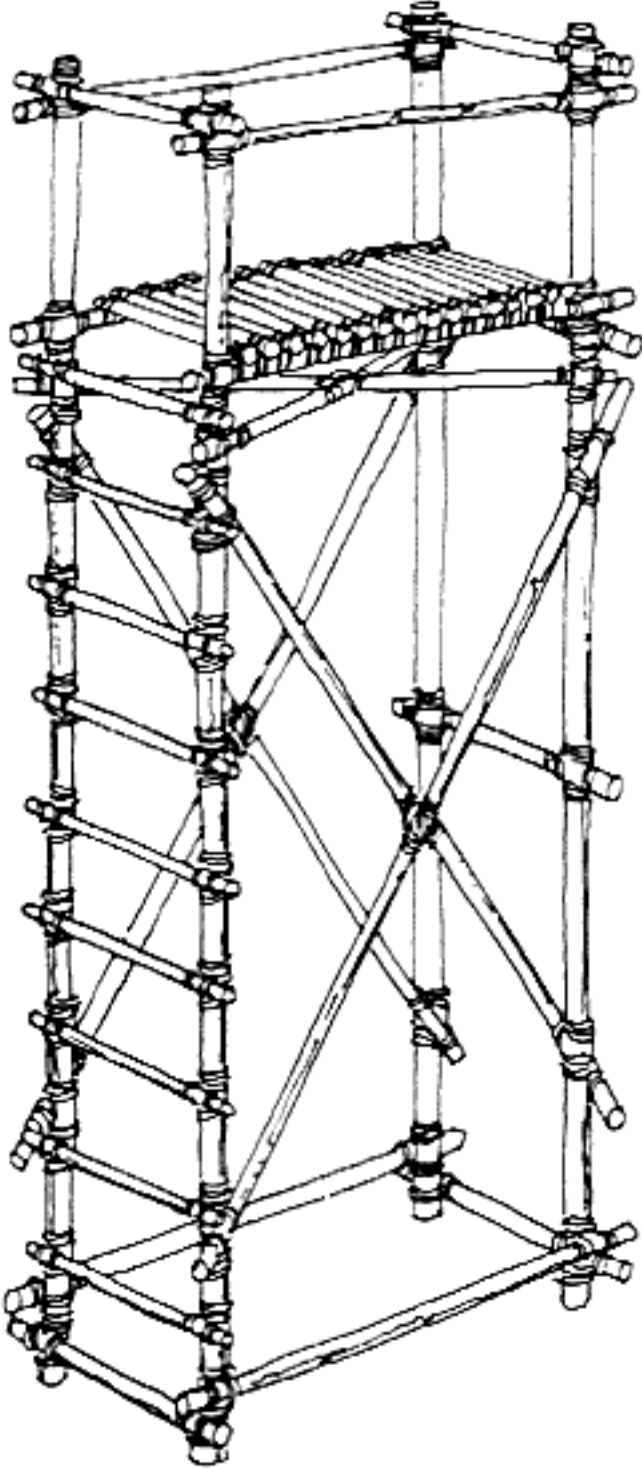
# Pfox Tower



Wood Badge SC455  
"Pfox Tower"

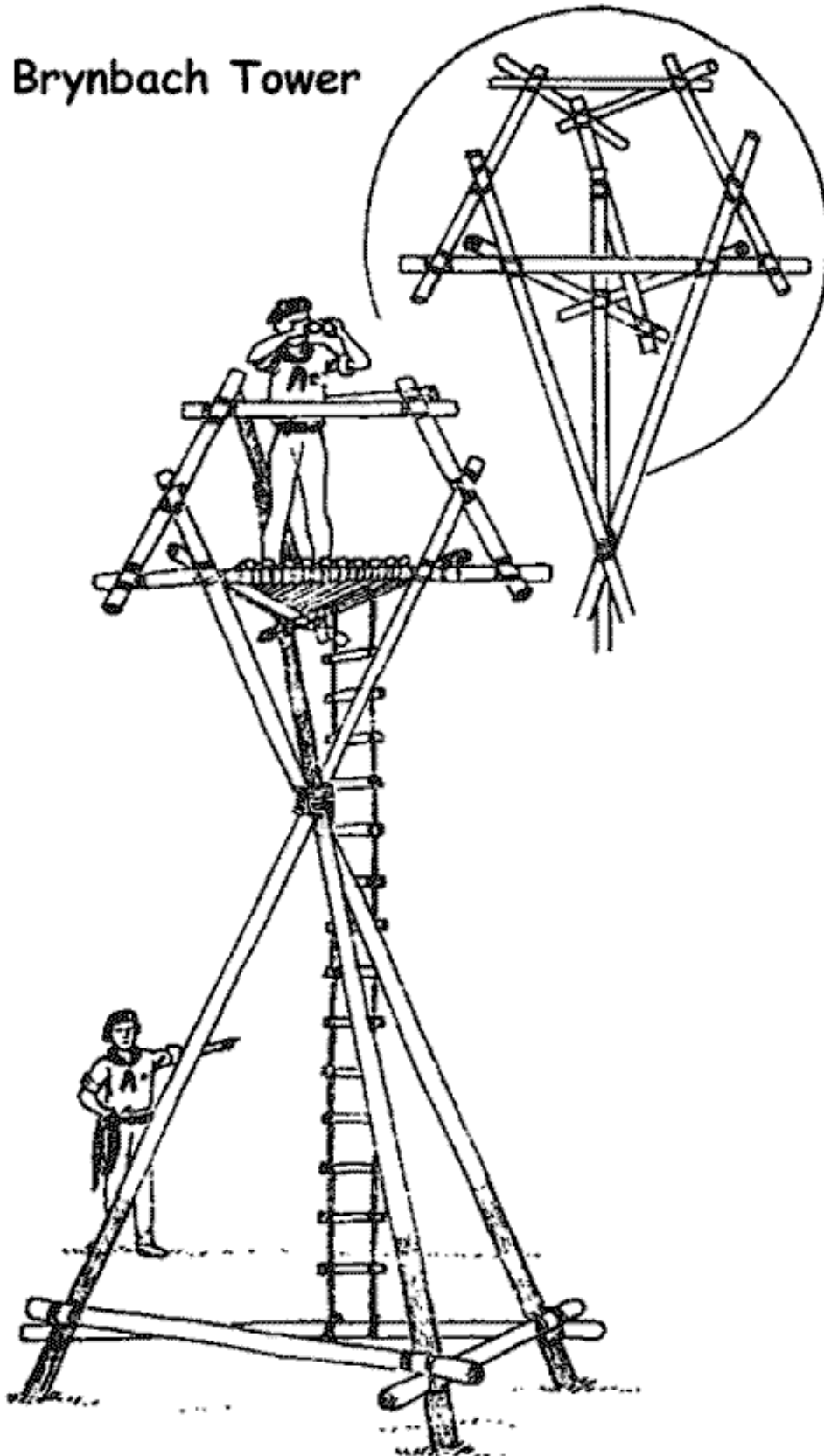
Includes 3 straight supports that hold the ladder and provide extra bracing. You may or may not need these. AS BUILT, this tower held 4 200lb. adults at one time!

# Signal Tower

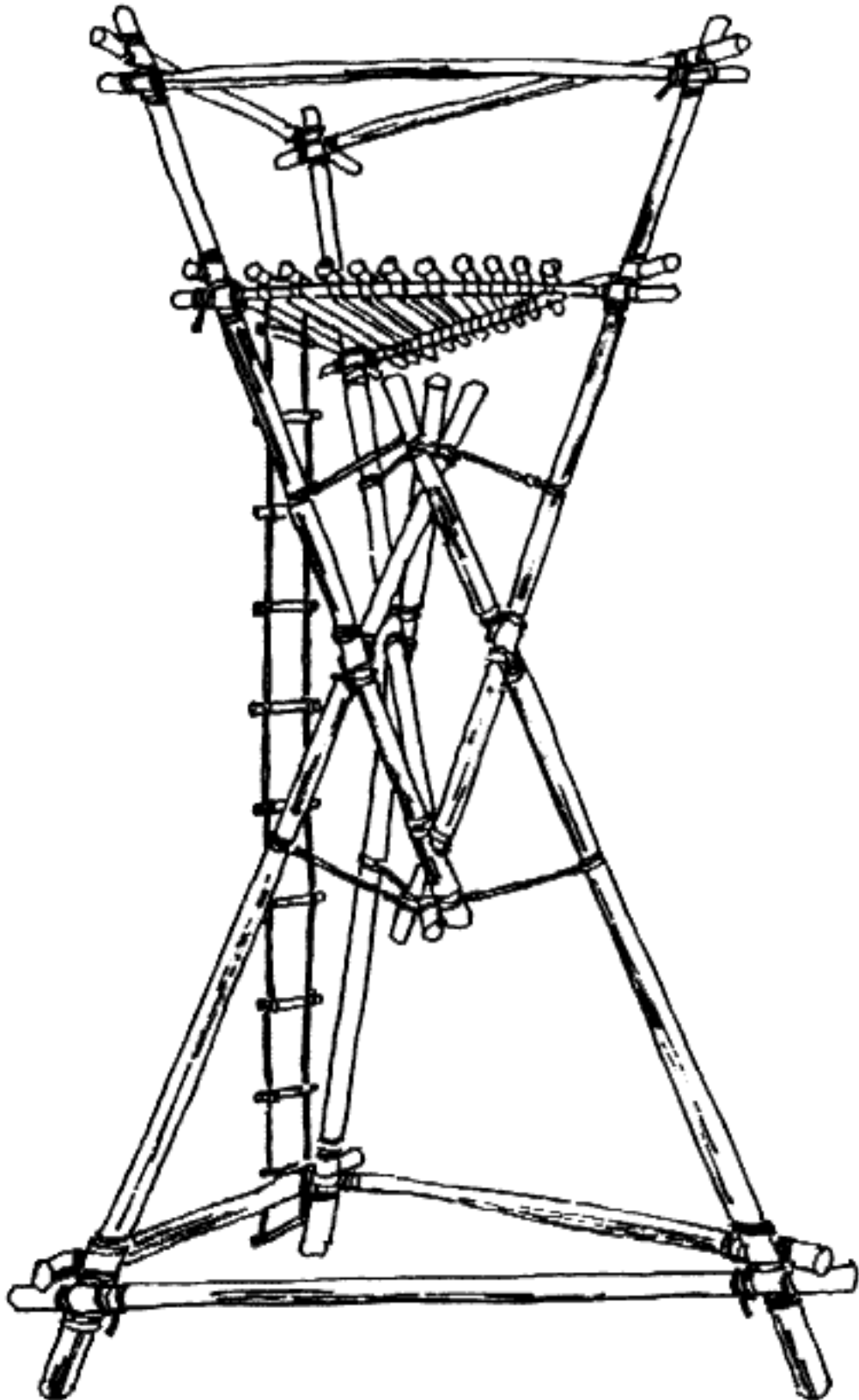


# Brynbach Tower

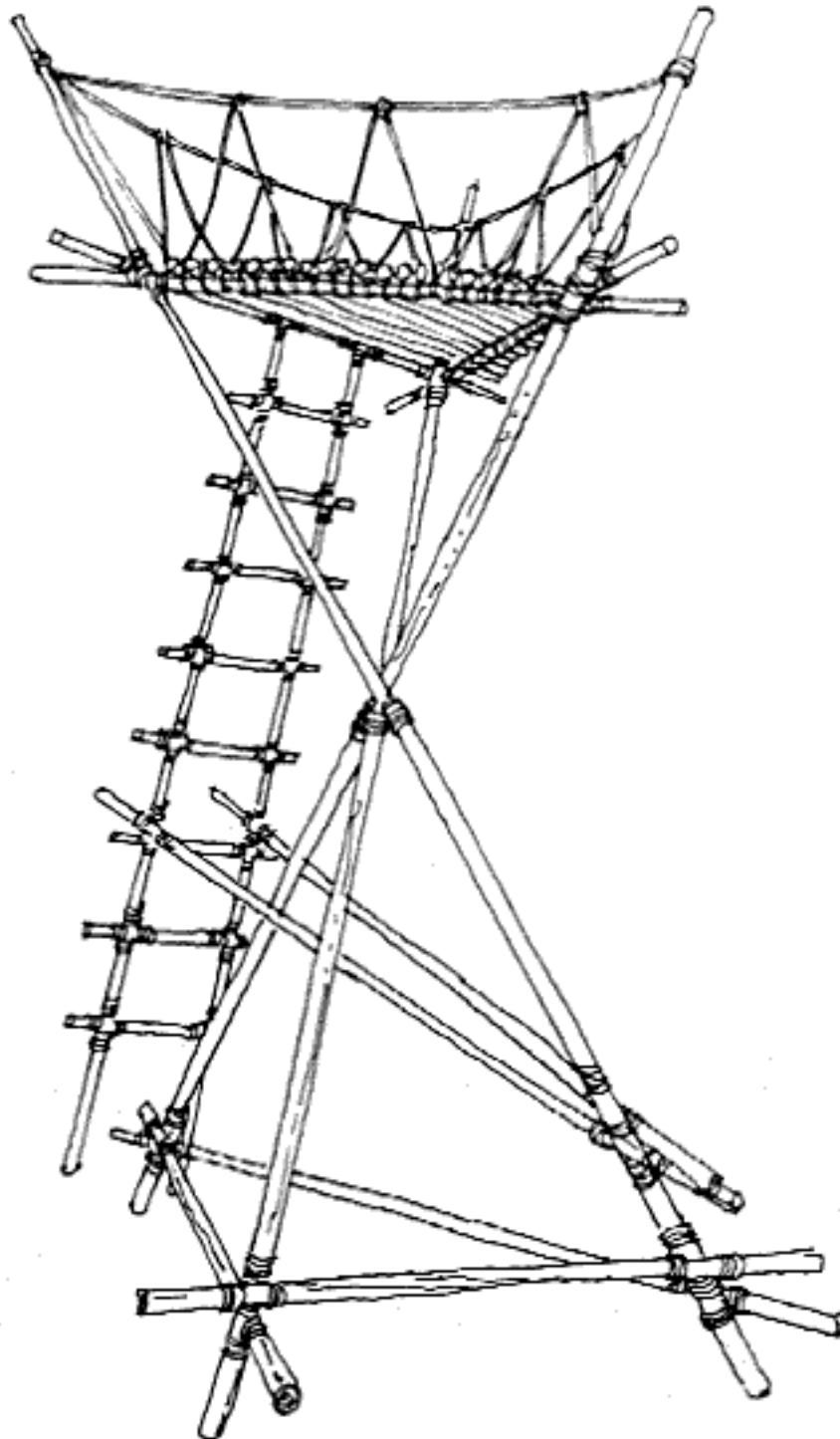
Brynbach Tower



# Hourglass Signal Tower

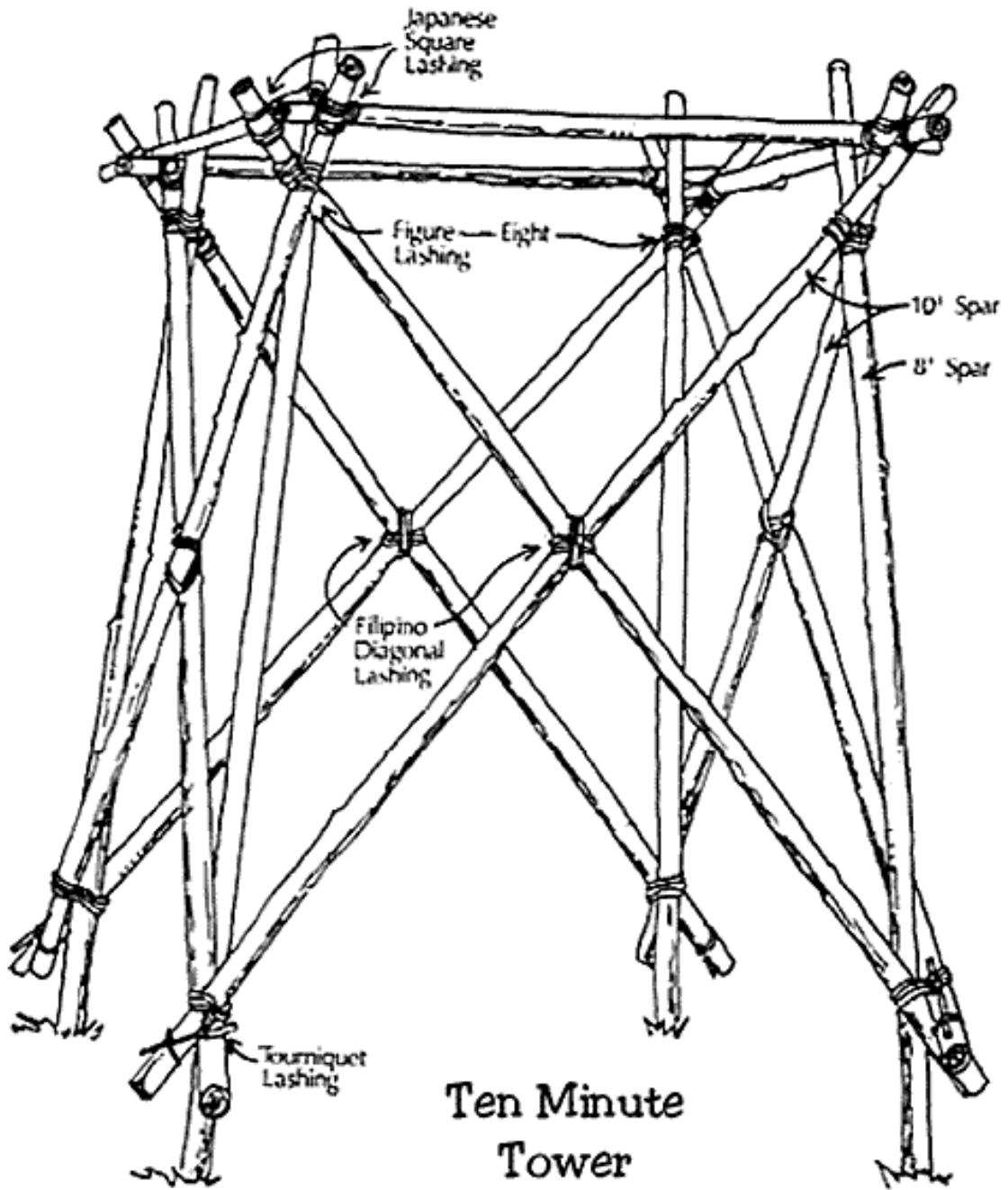


# Triangular Signal Tower

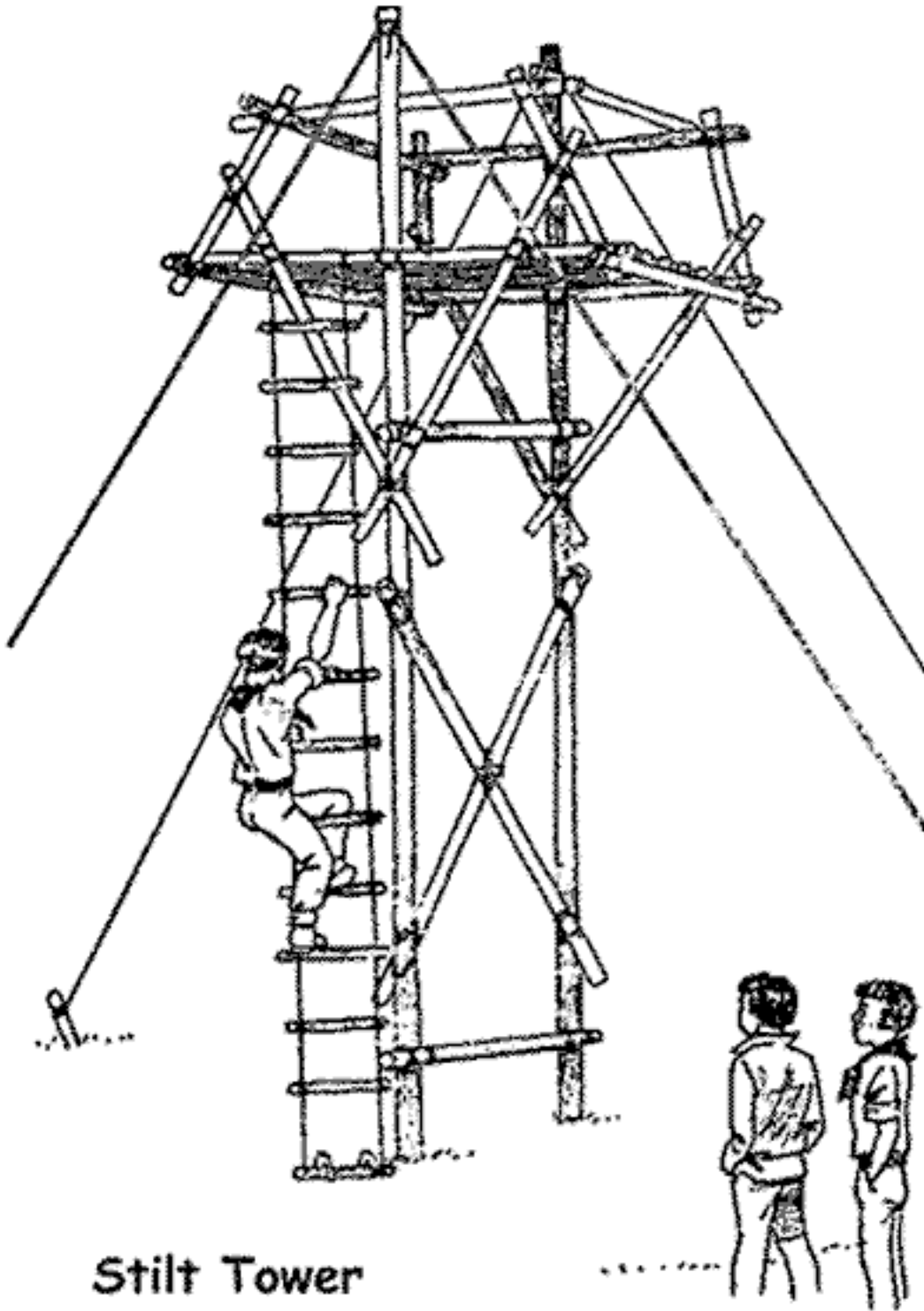




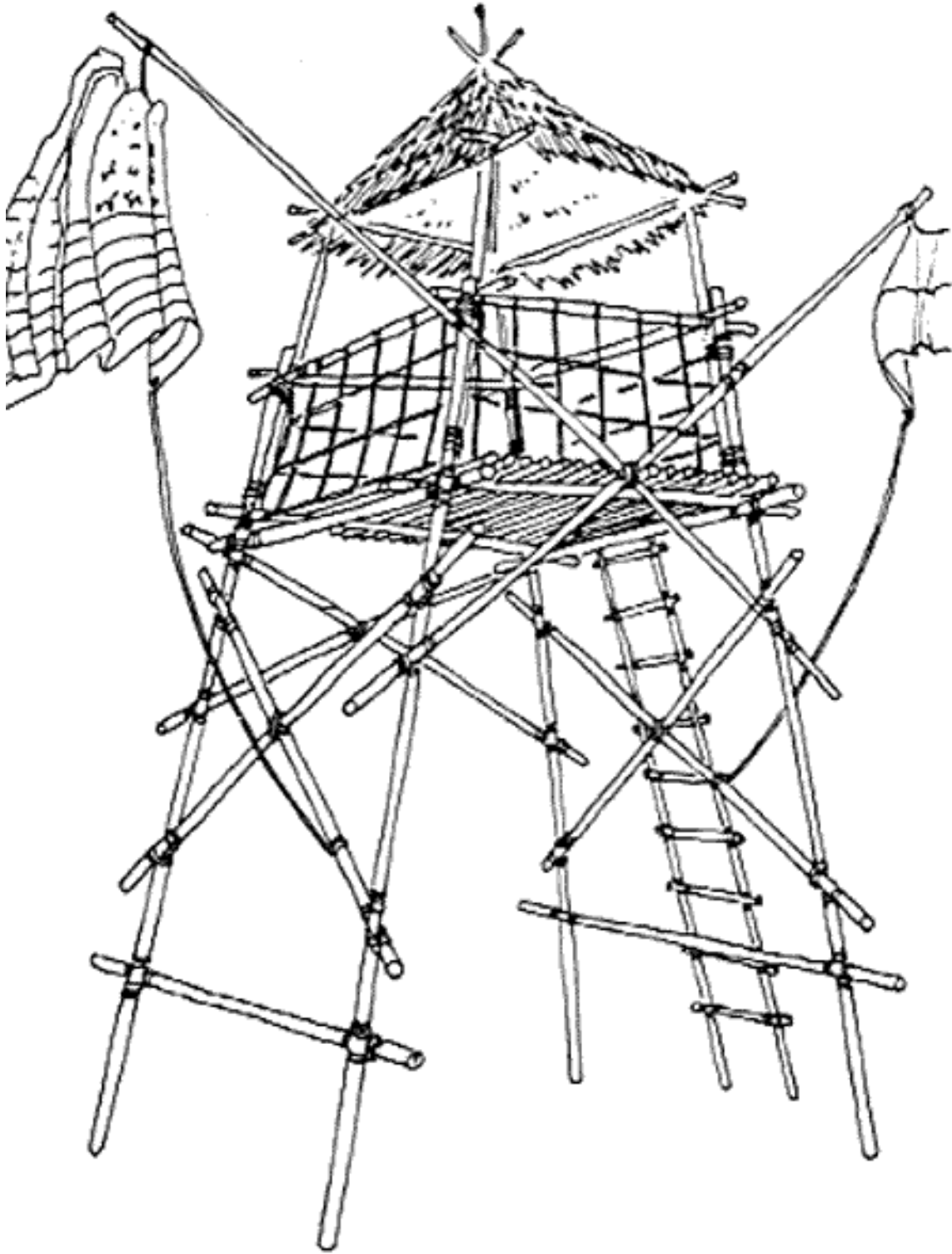
# Ten Minute Tower



# Stilt Tower



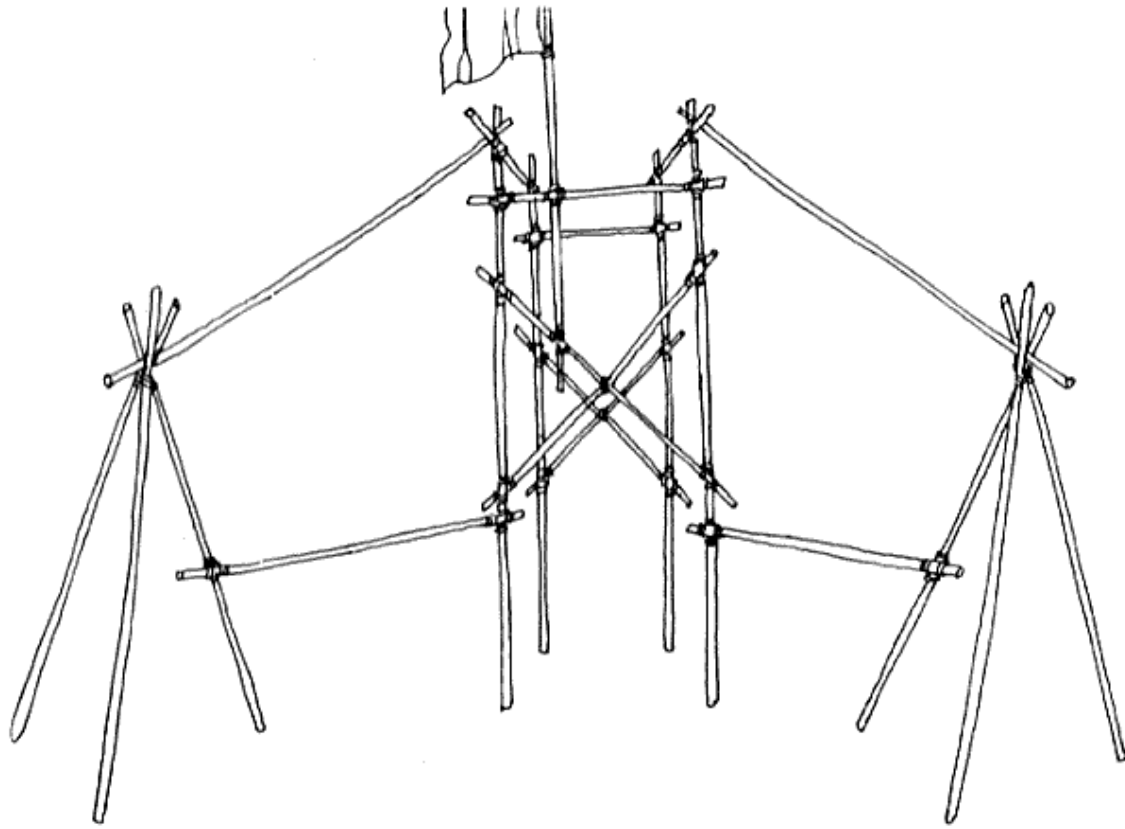
# Troop 850 Gateway



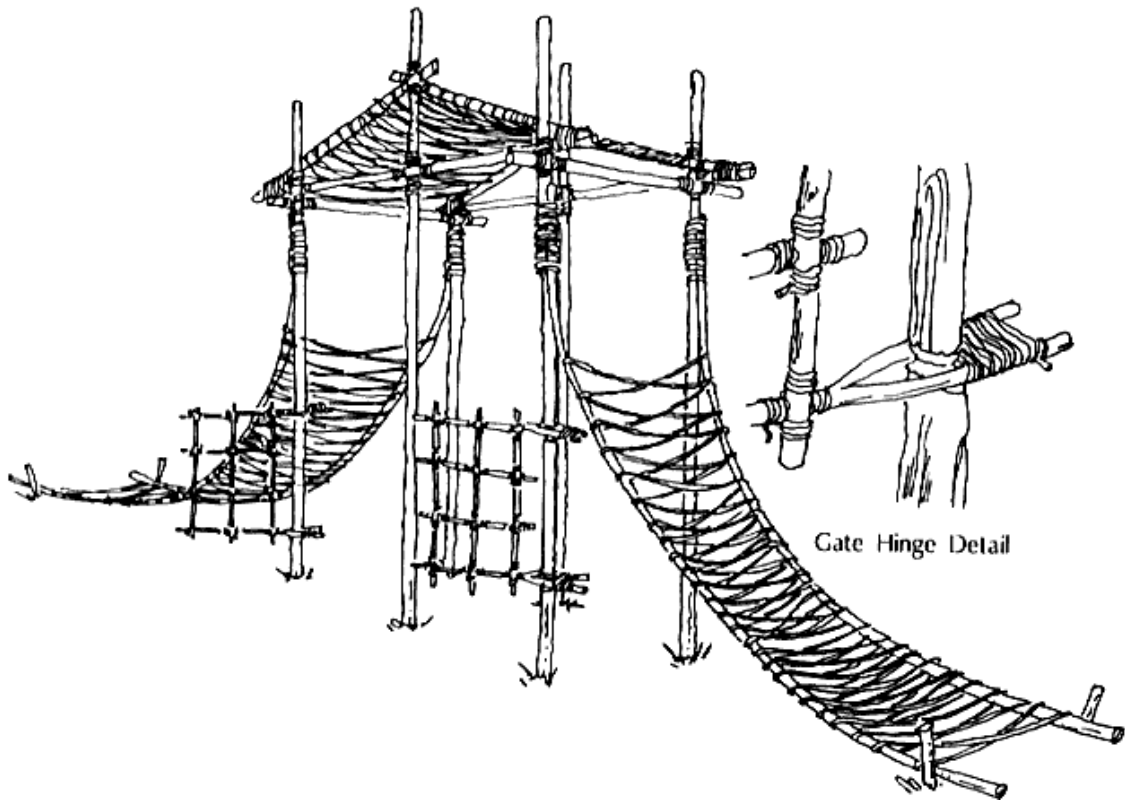
# Covered Gateway



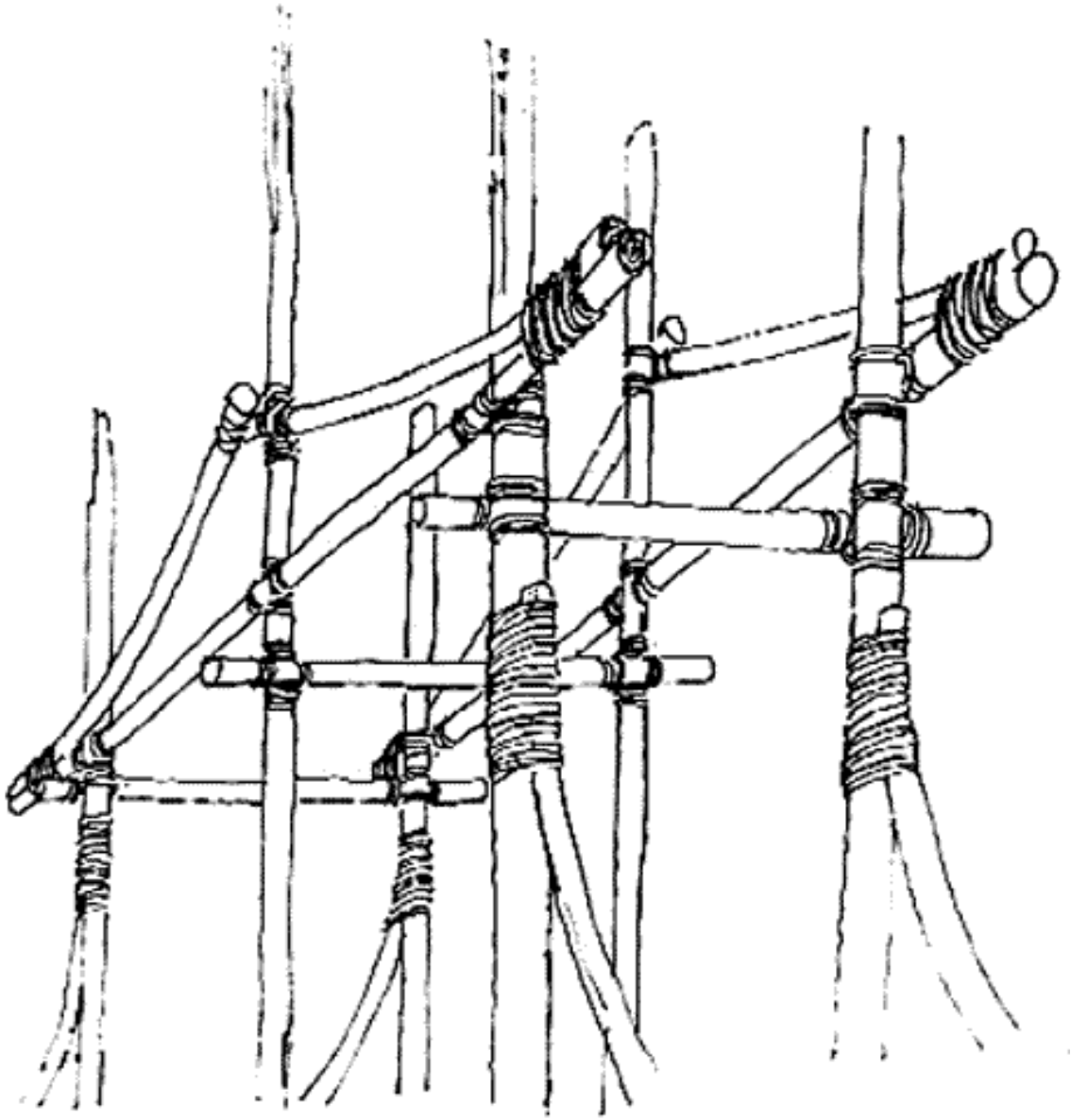
# Simple Gateway



# Troop 16 Gateway

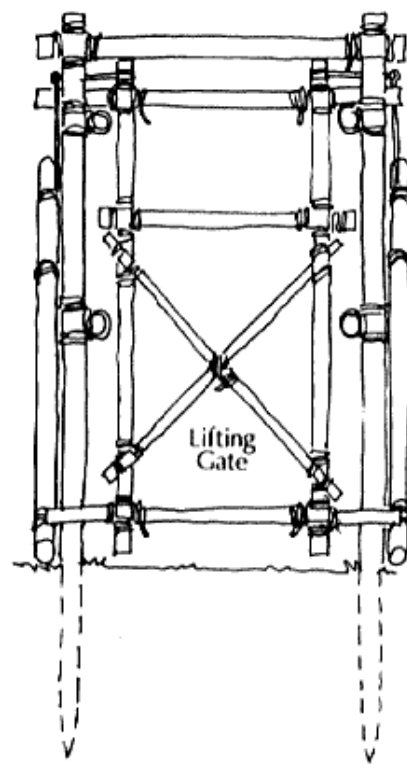
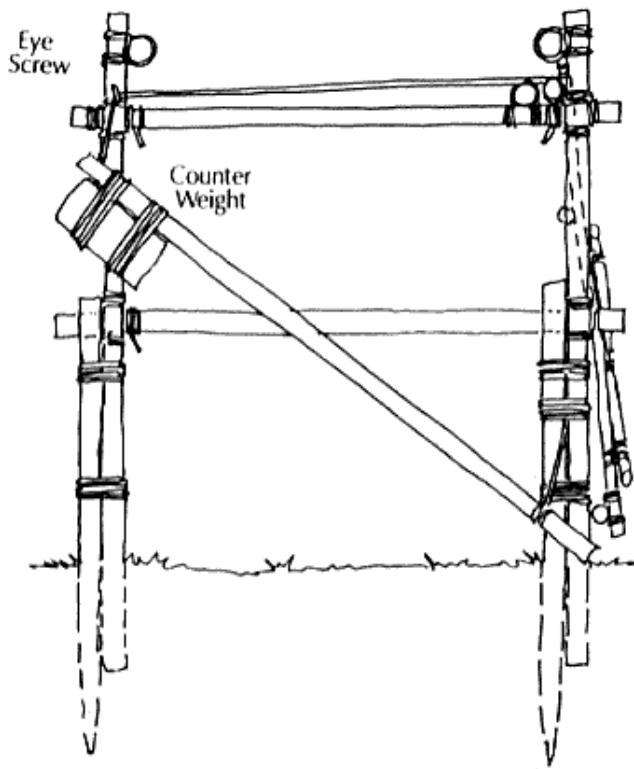
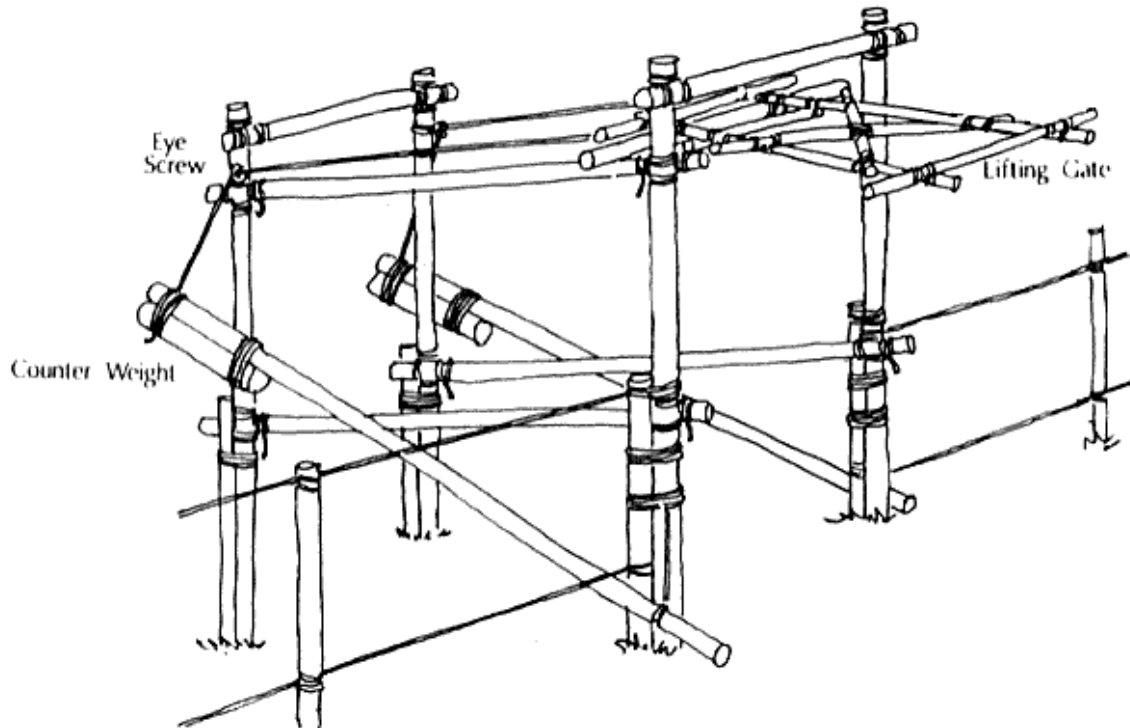


## Troop 16 Gateway Roof Detail



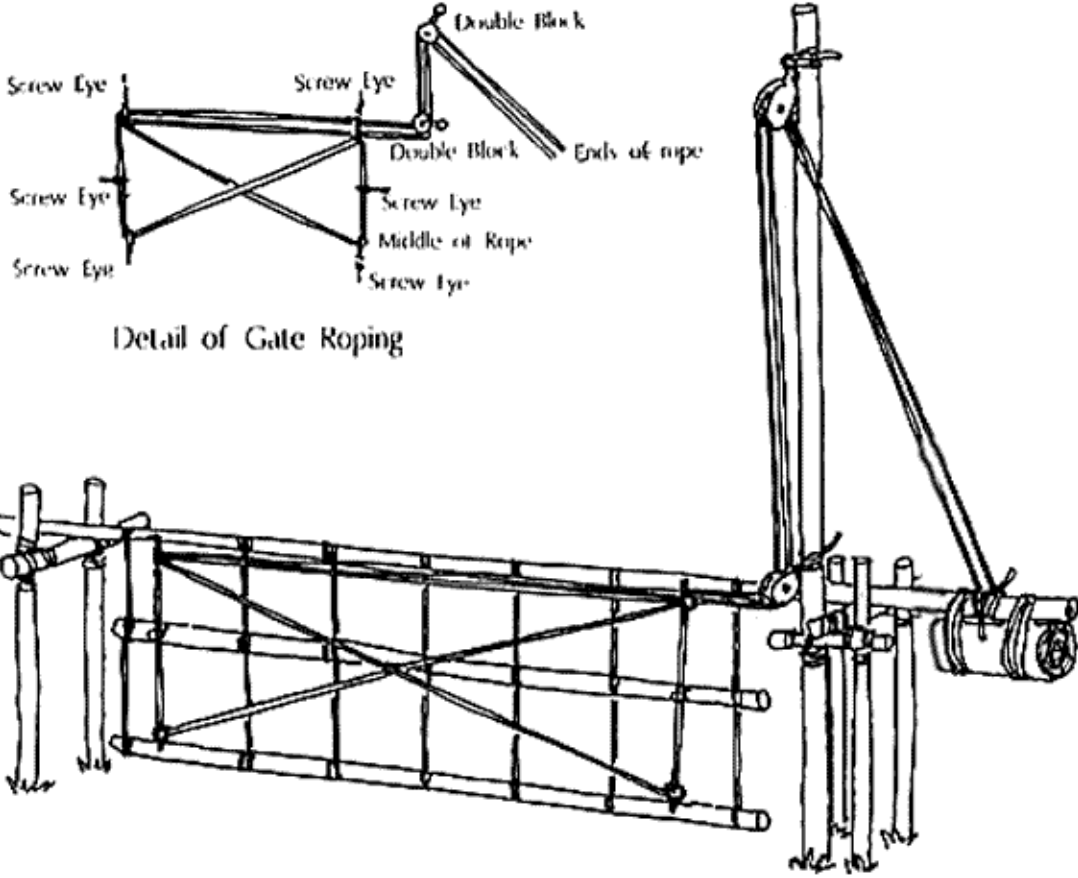
Gateway Roof Detail

# Lifting Gateway

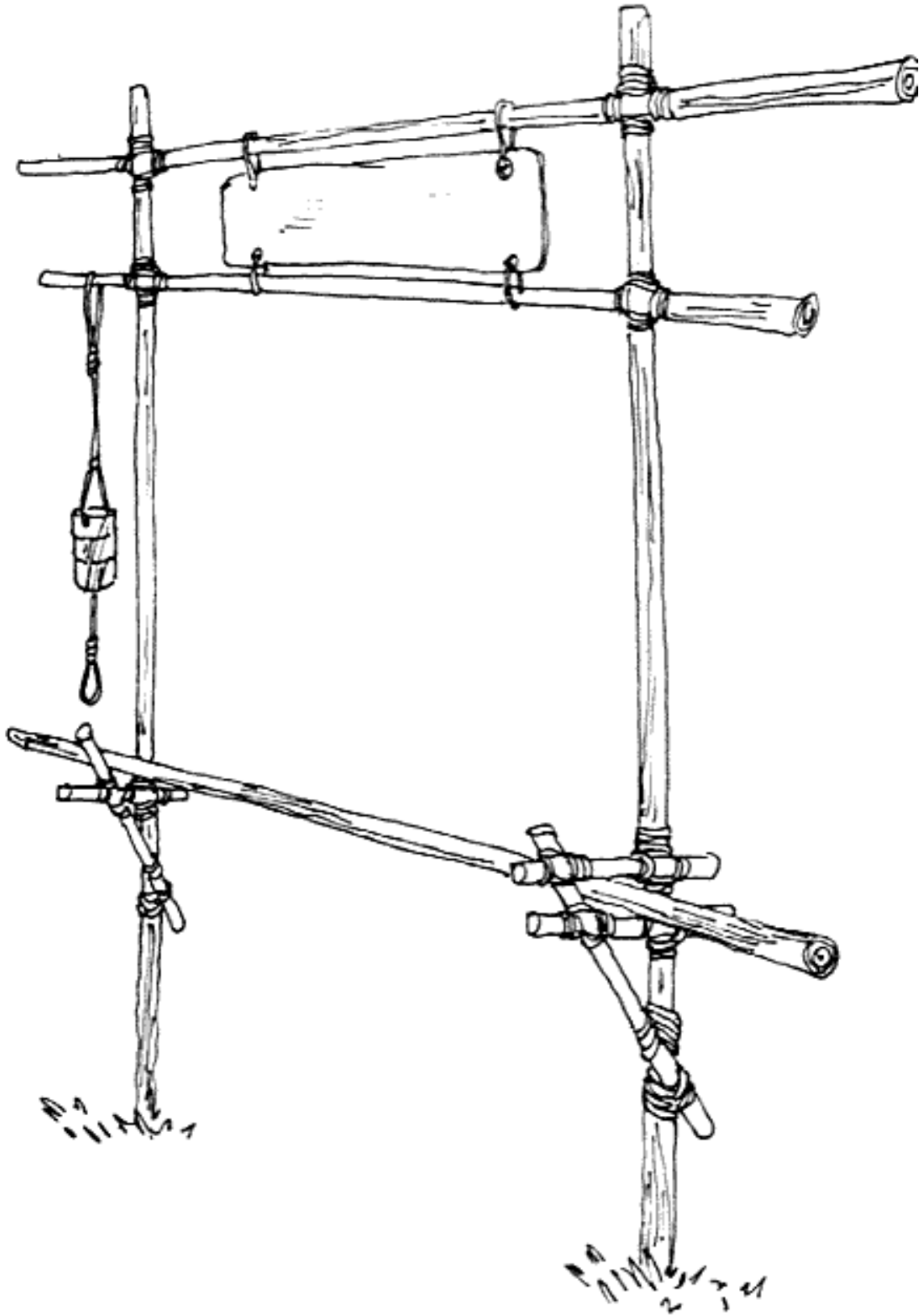




# Swinging Gate

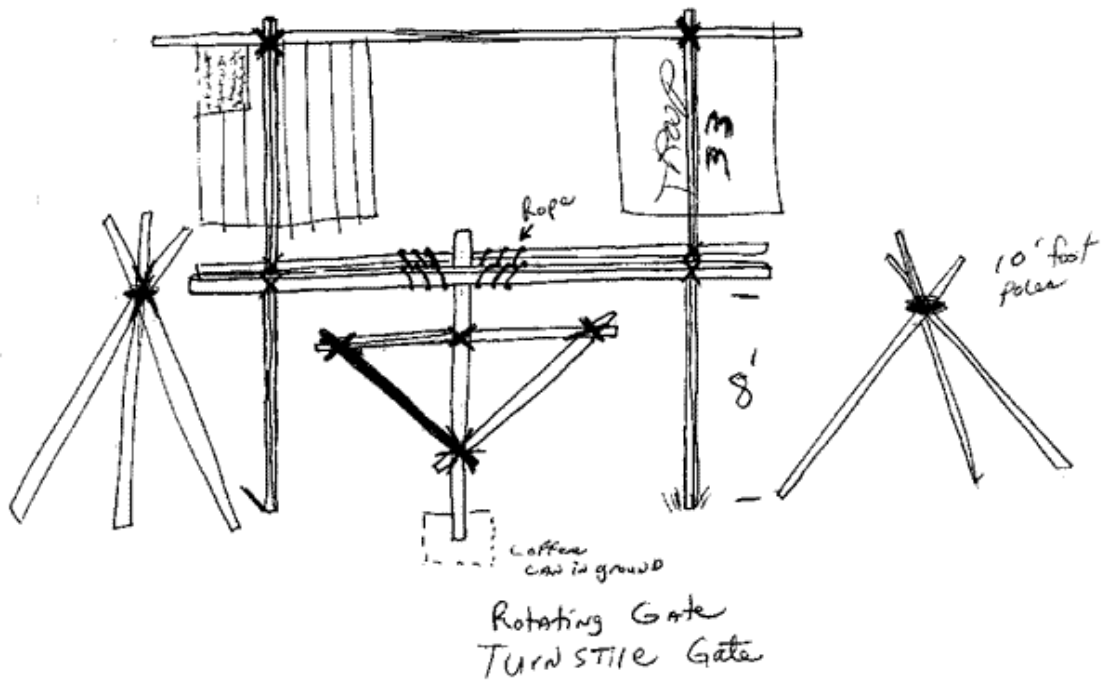


# Gateway with Doorbell

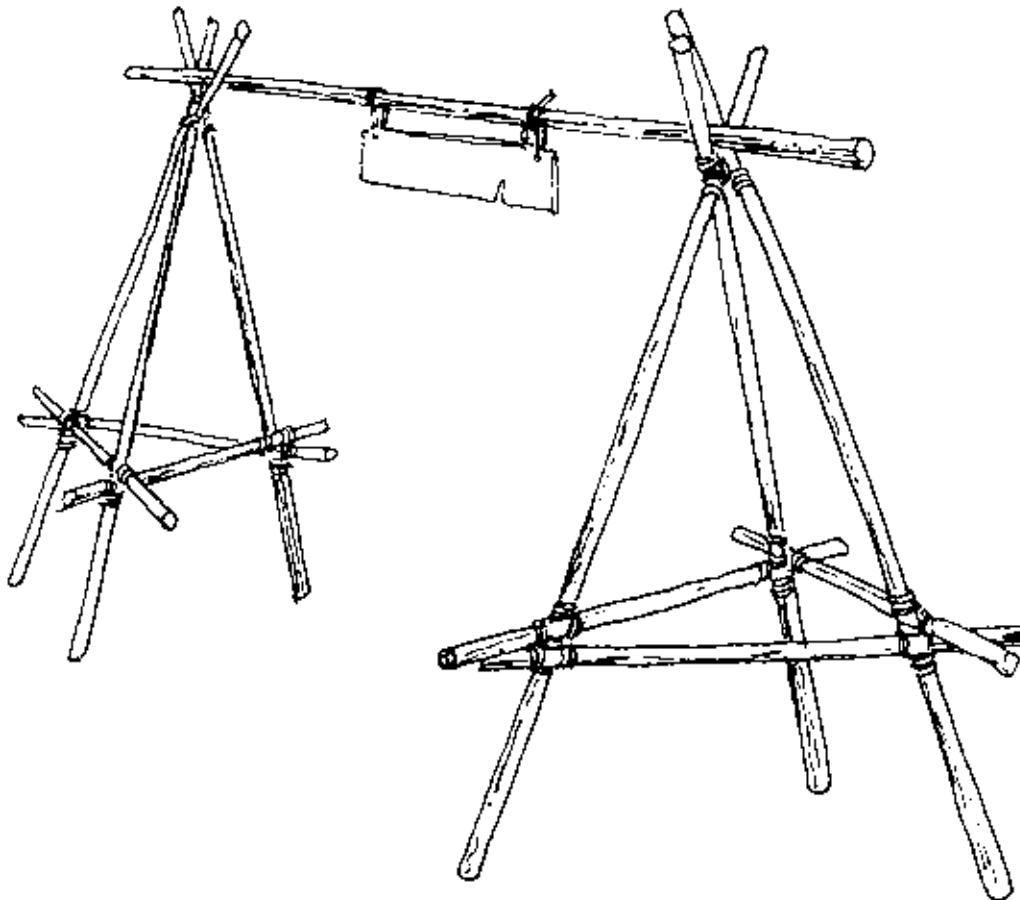


# Rotating Gate / Turnstile Gate

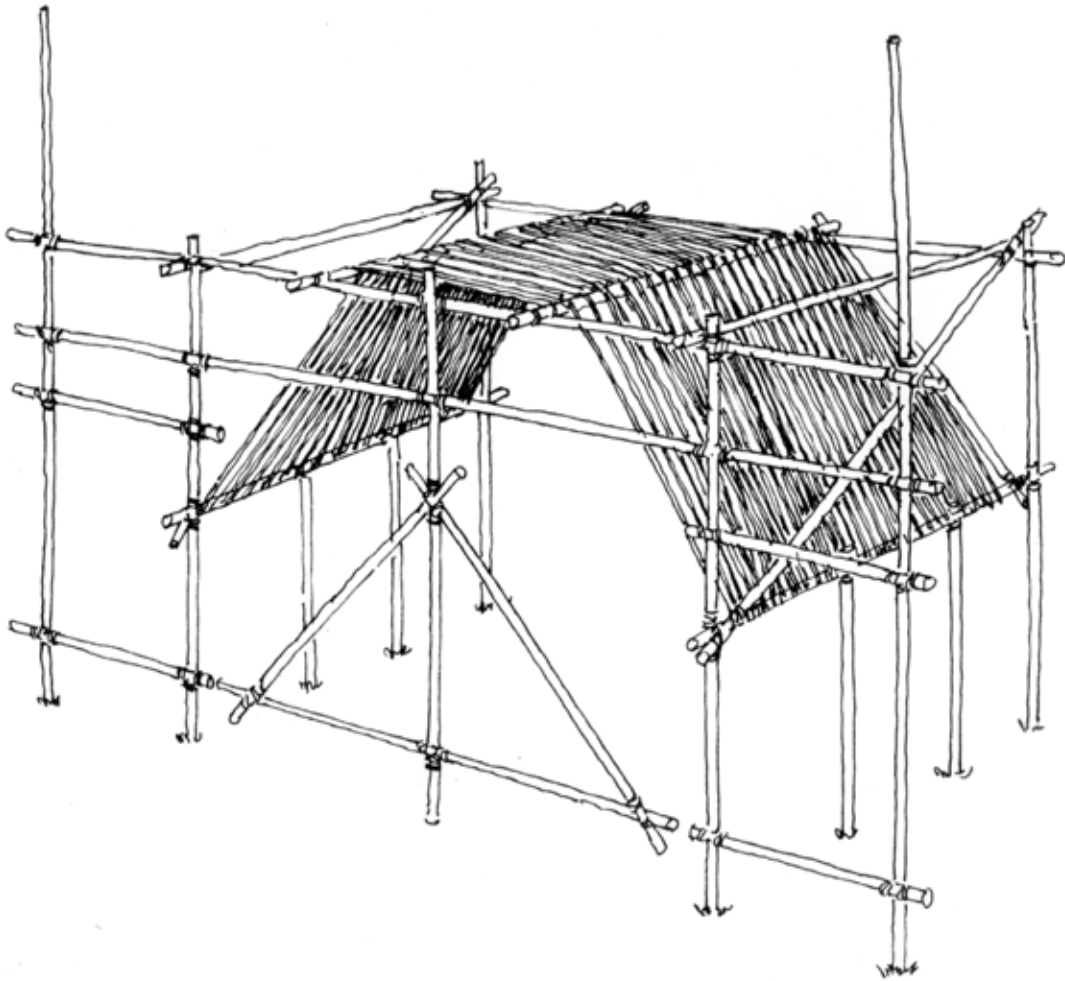
---



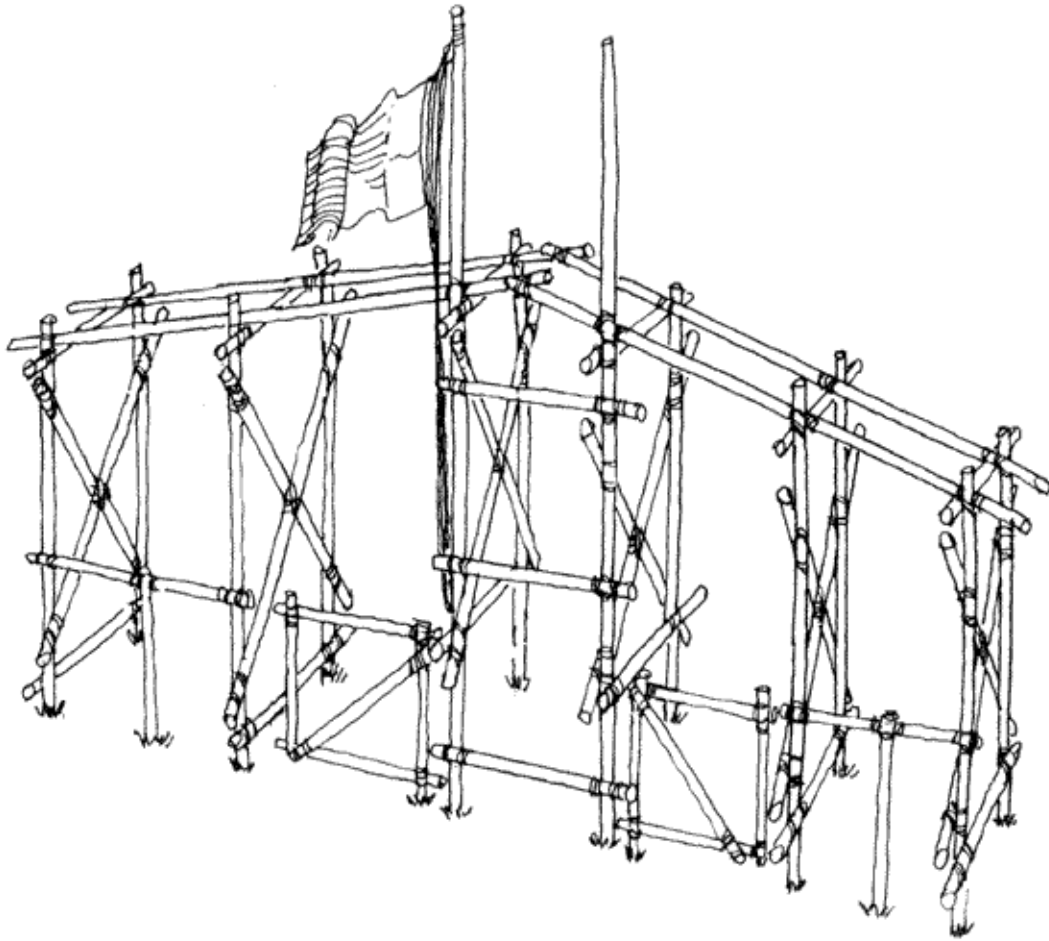
## Basic 'Free Standing' gateway



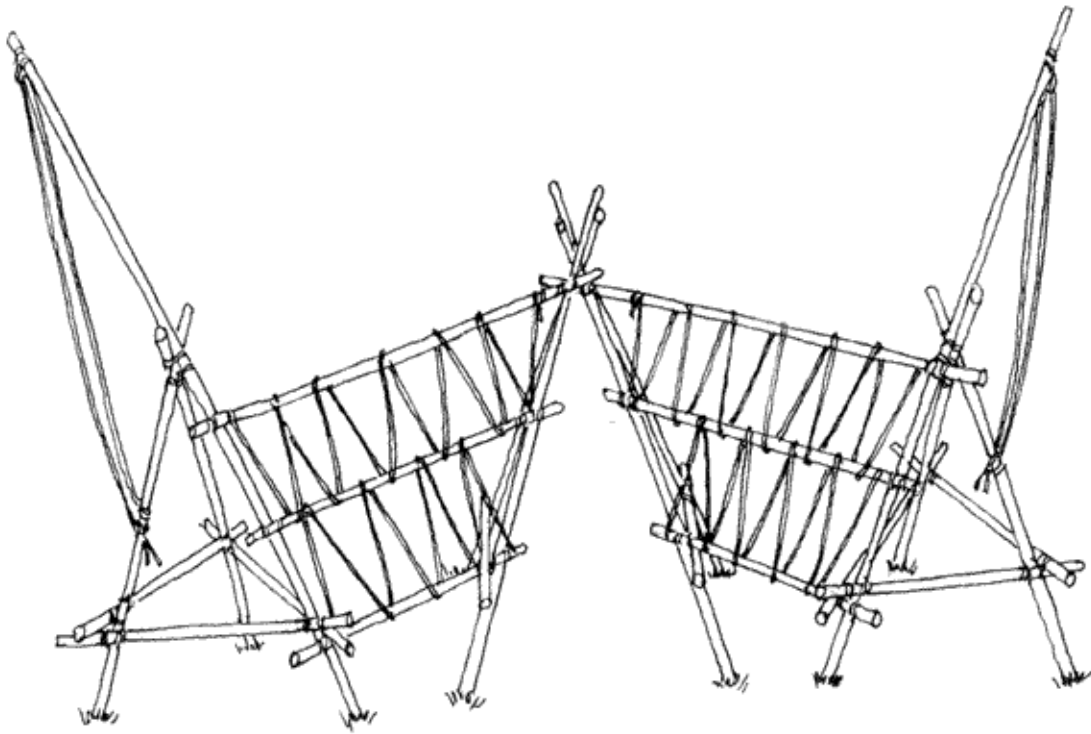
# Covered Gateway with Swinging Gate



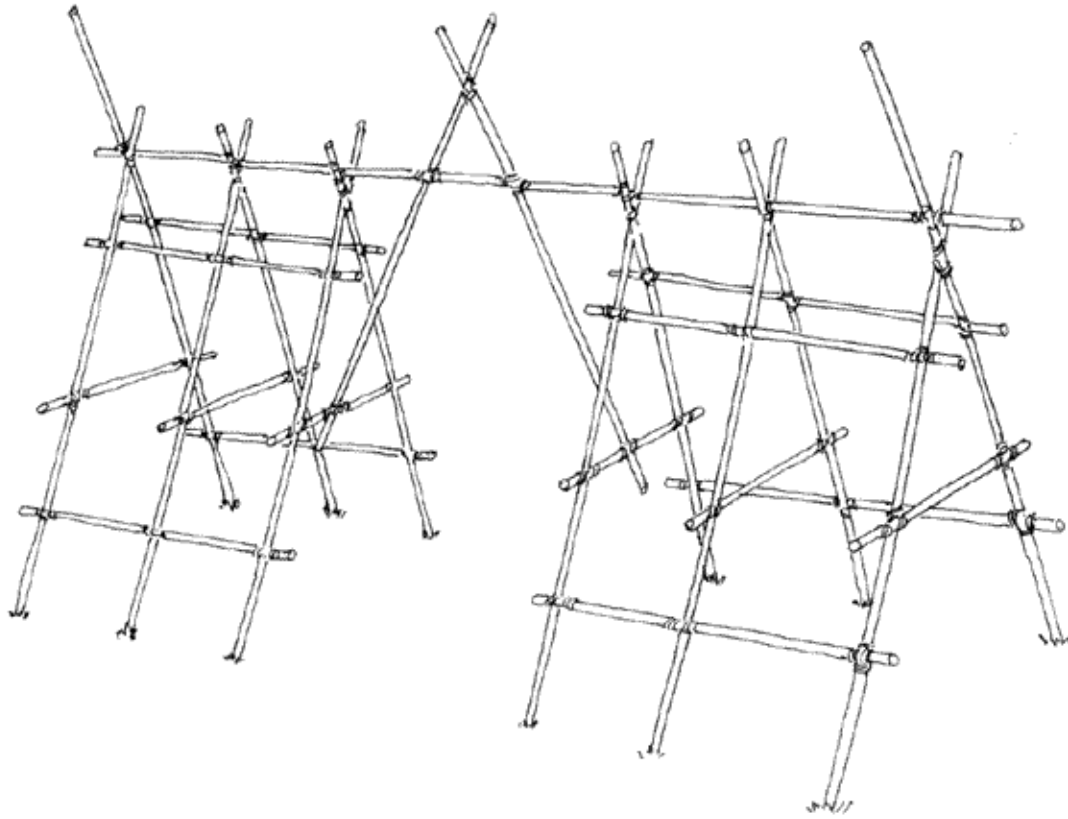
# Two Door Gateway



# “Weird Looking” Gateway

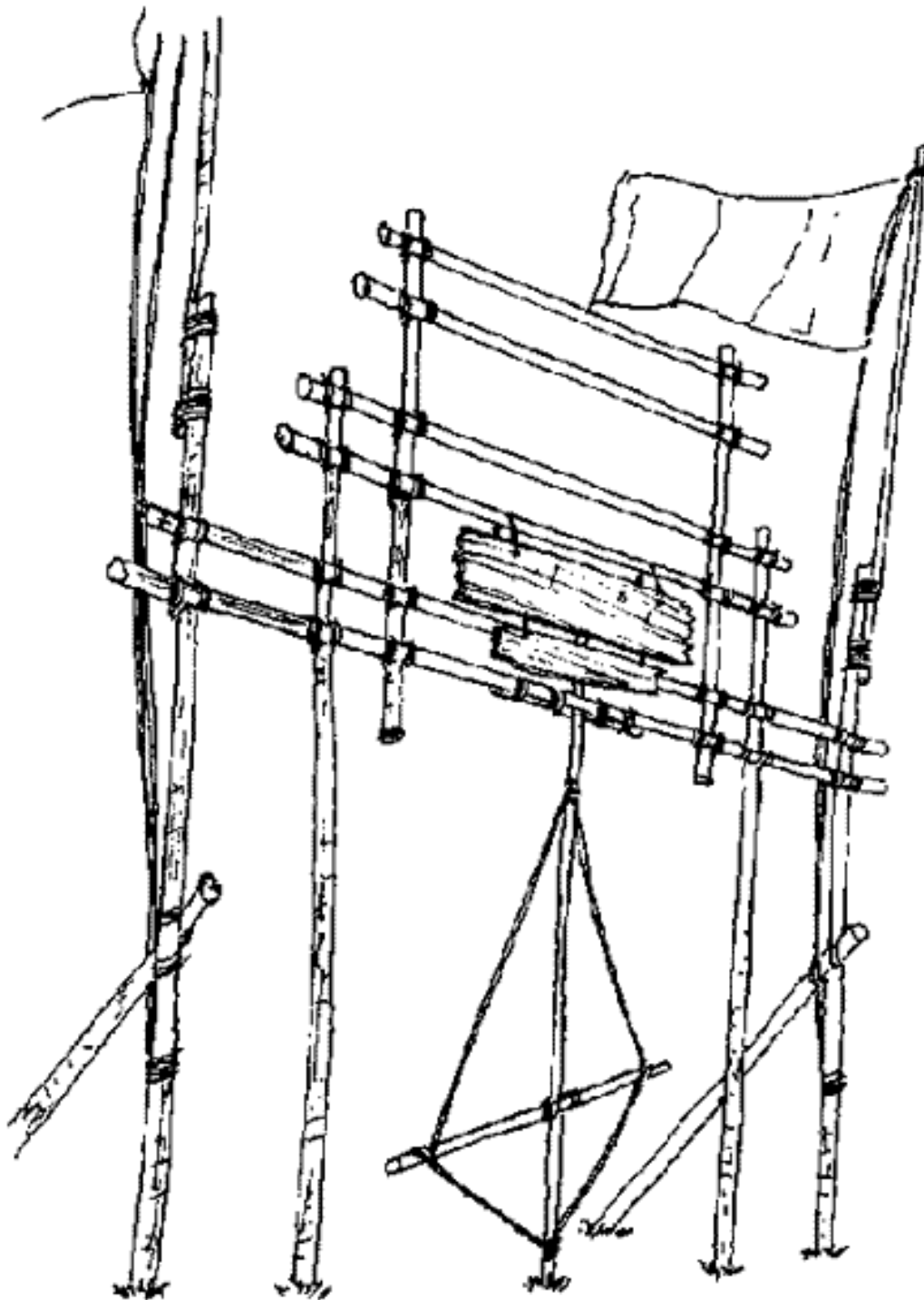


# Easy 'Free Standing' Gateway

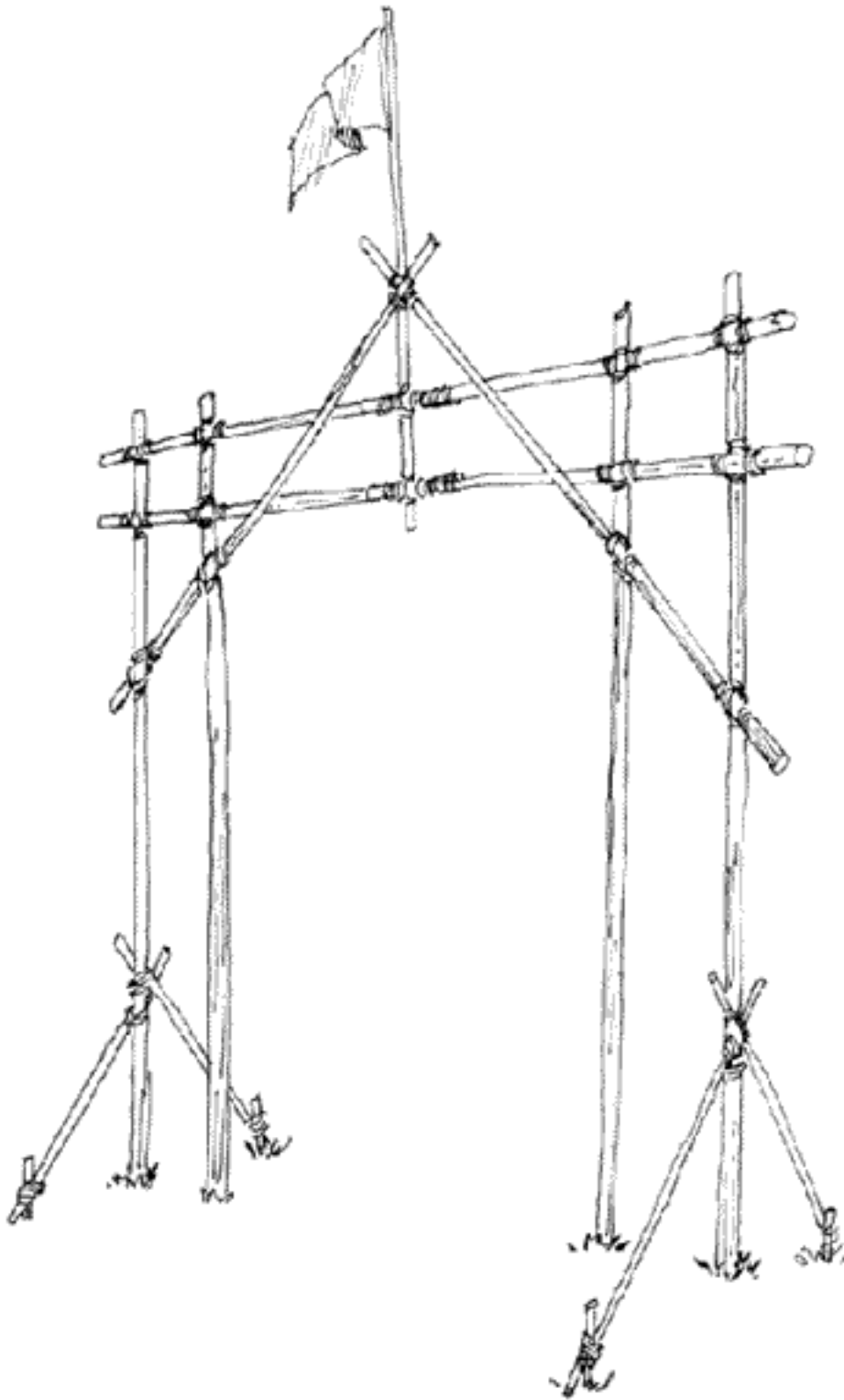




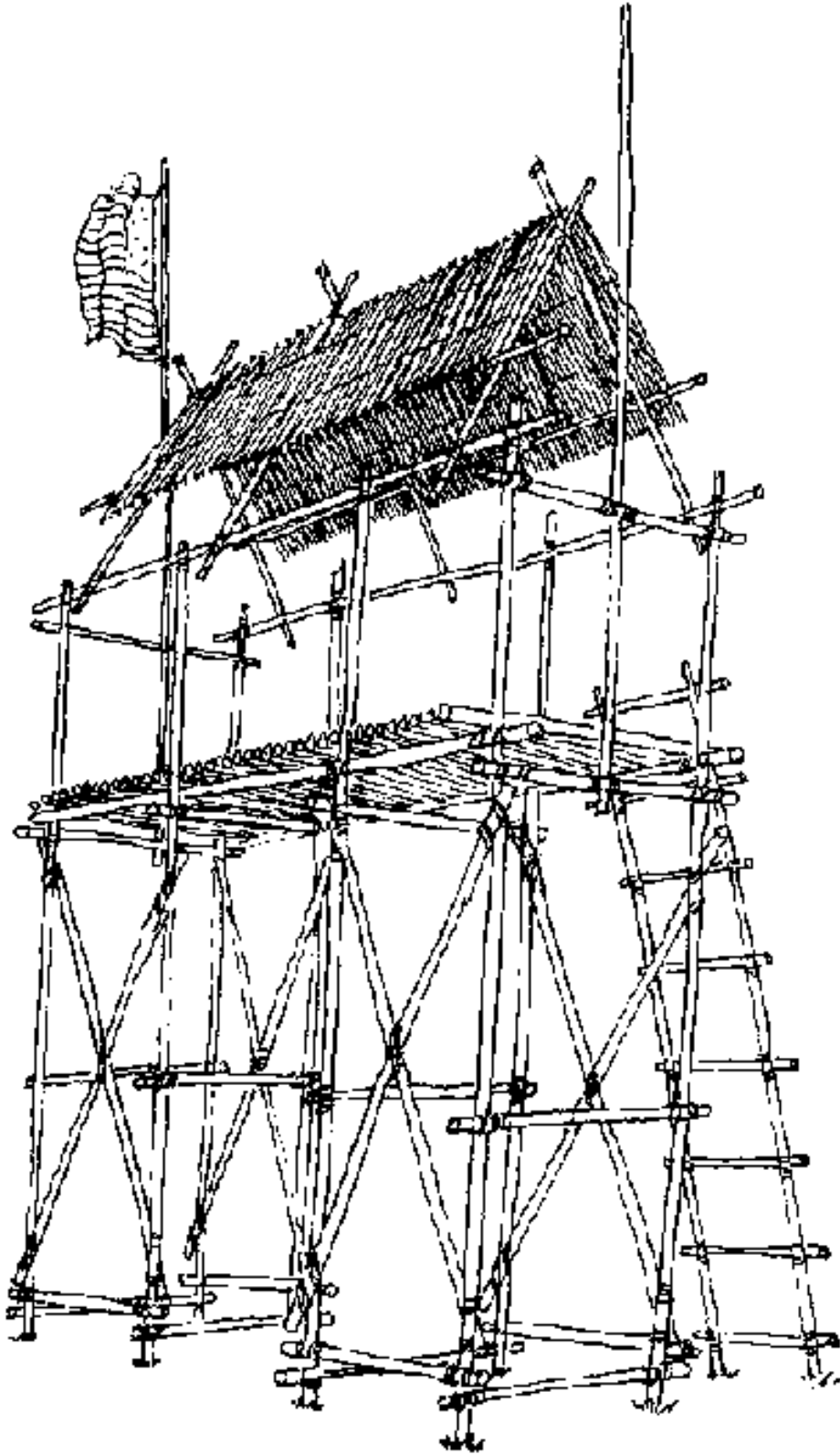
# 'In Ground' Gateway with Swinging Gate



# Simple 'In Ground' Gateway



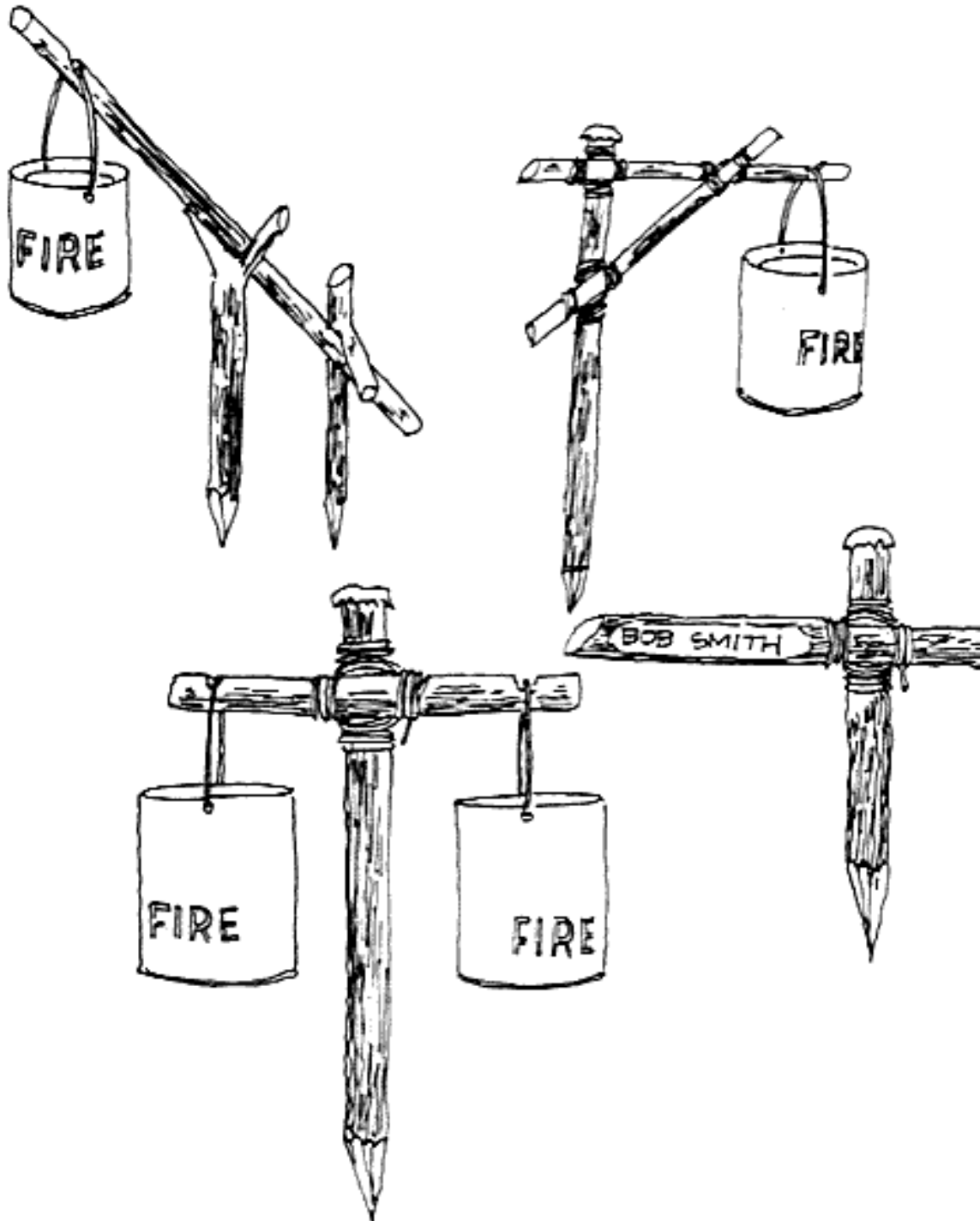
# Seriously Large Covered Gateway





# **Camp Tools / Gadgets**

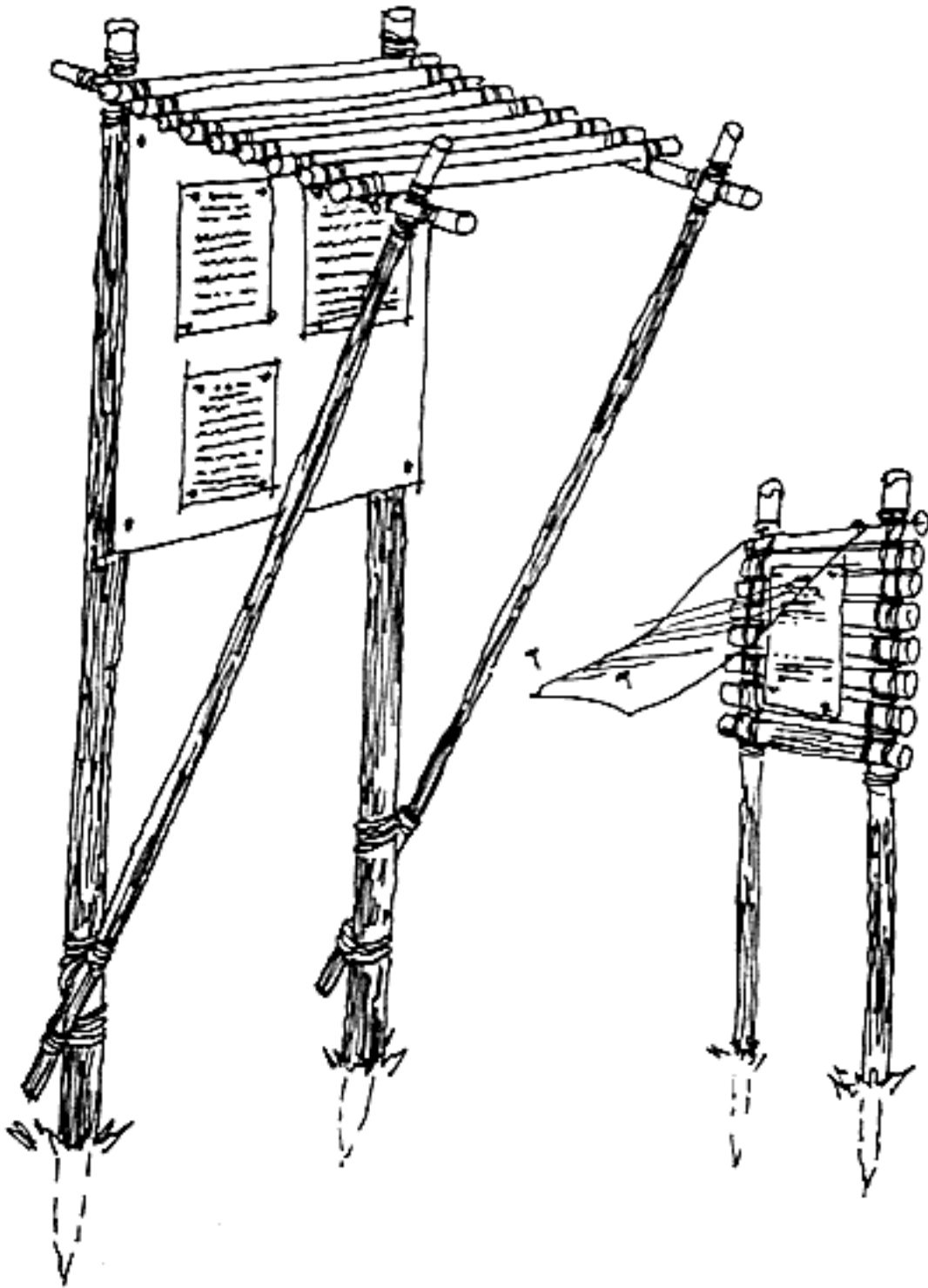
# Fire Bucket Holders



# Clothesline

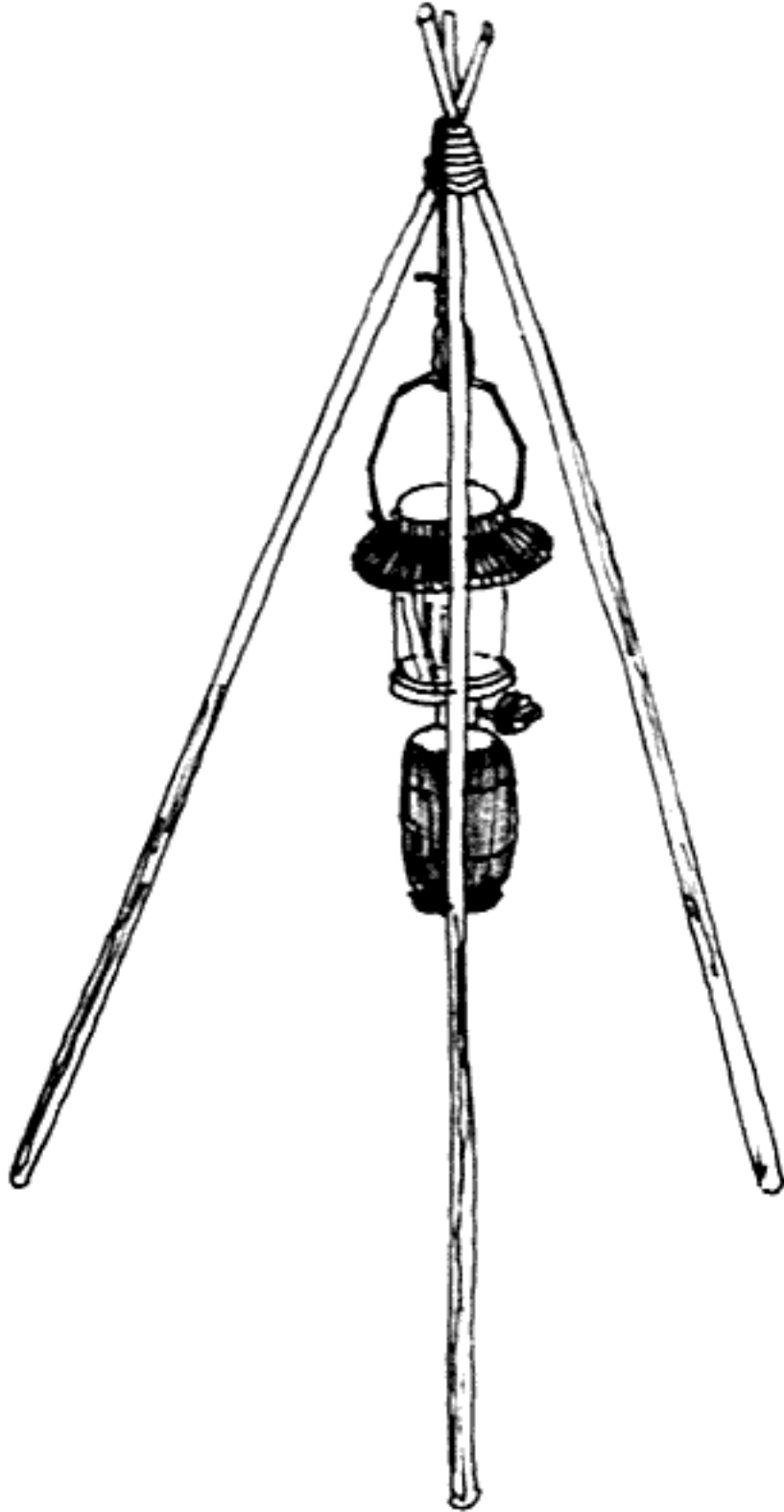


# Bulletin Board

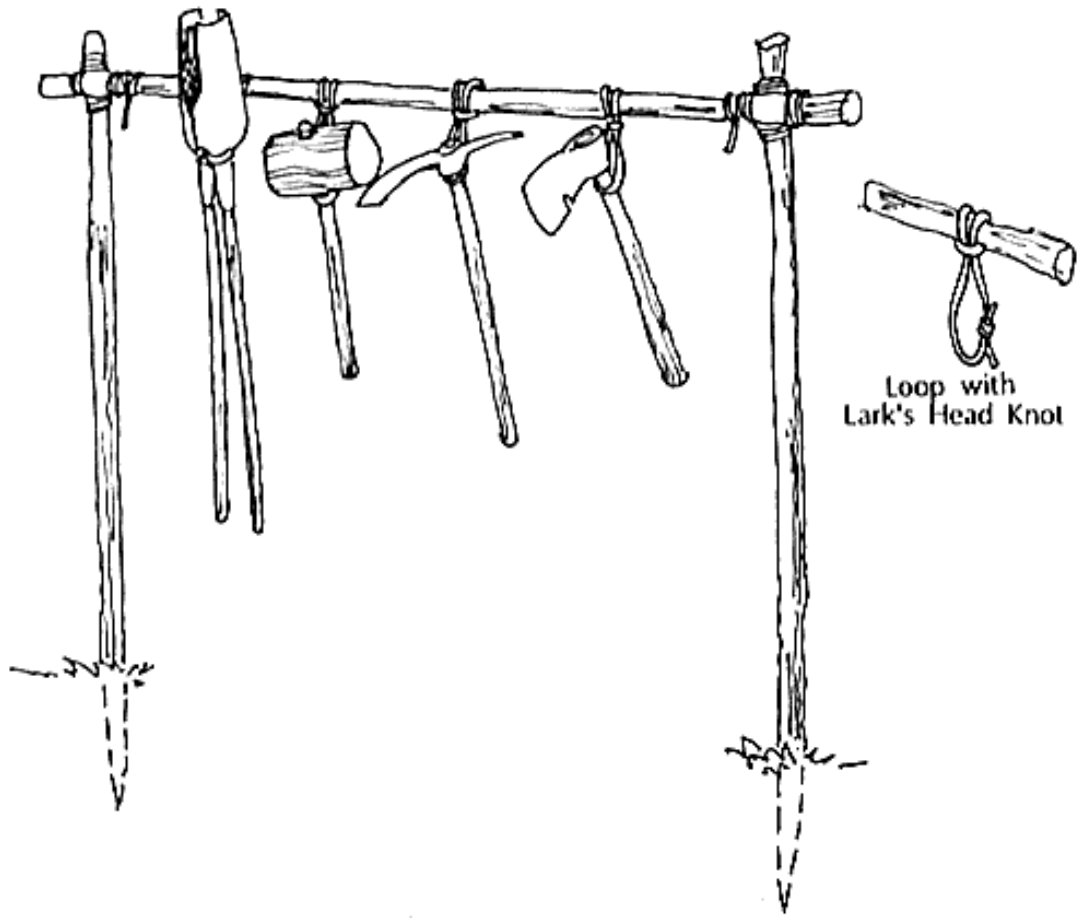




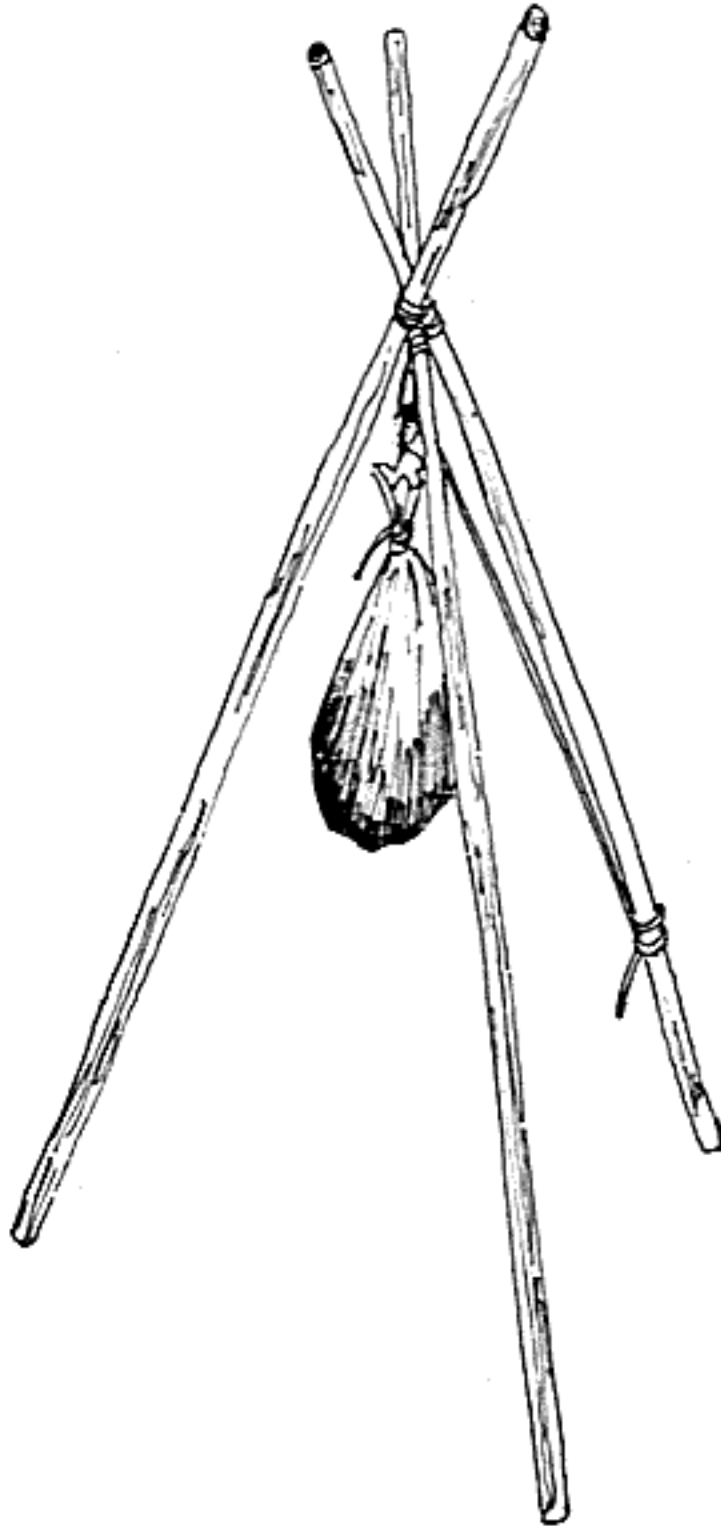
# Lantern Holder



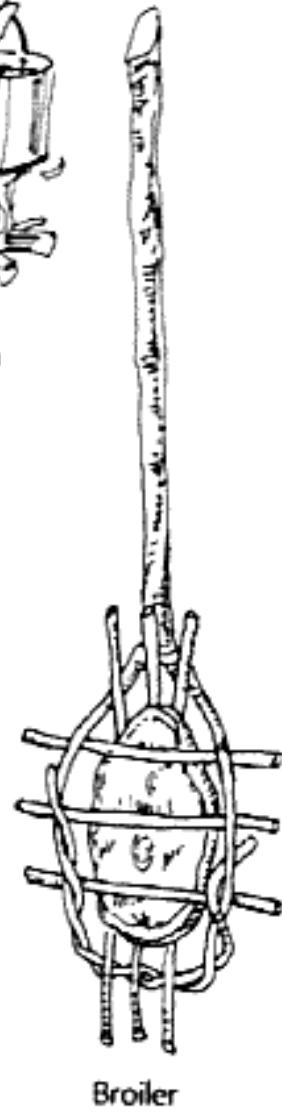
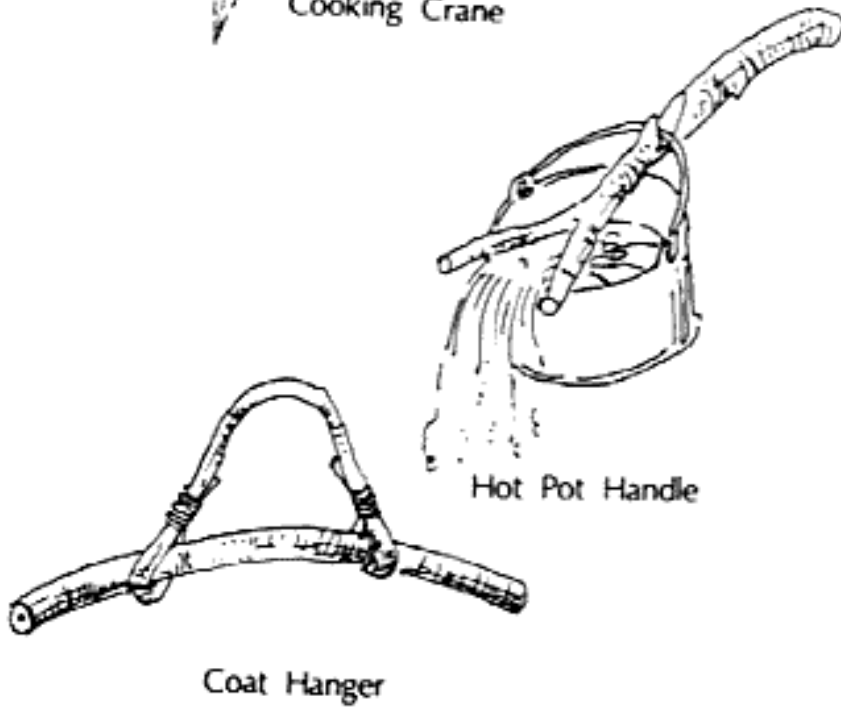
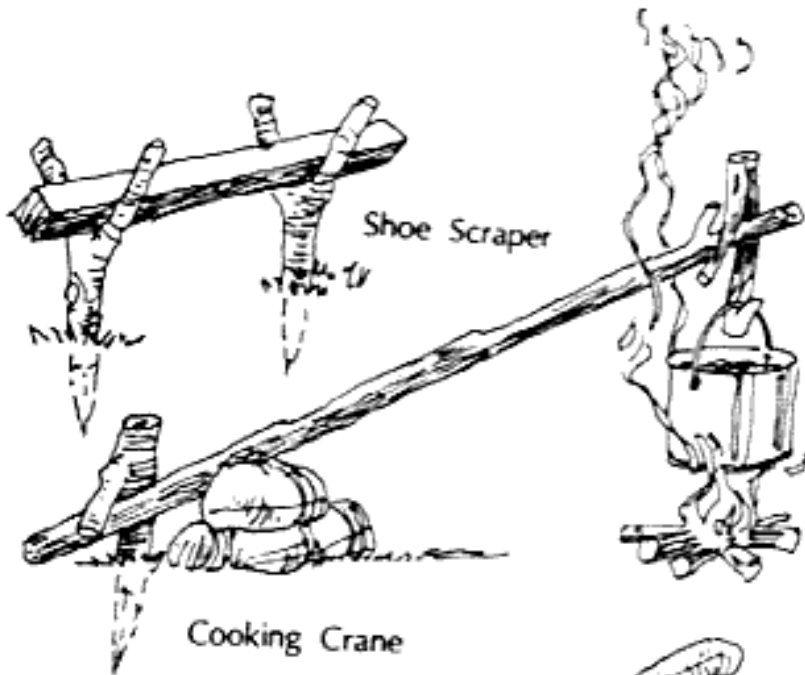
# Tool Rack



# Bear Bag

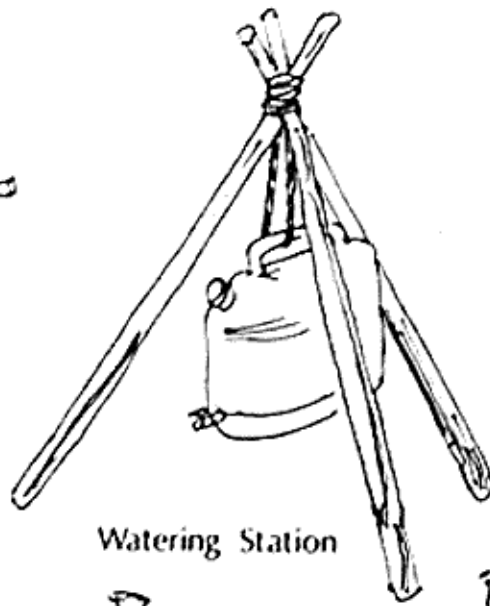


# Various Camp Tools

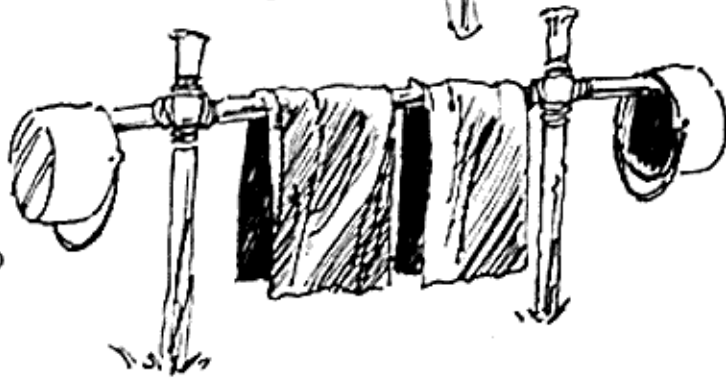




Wash Basin

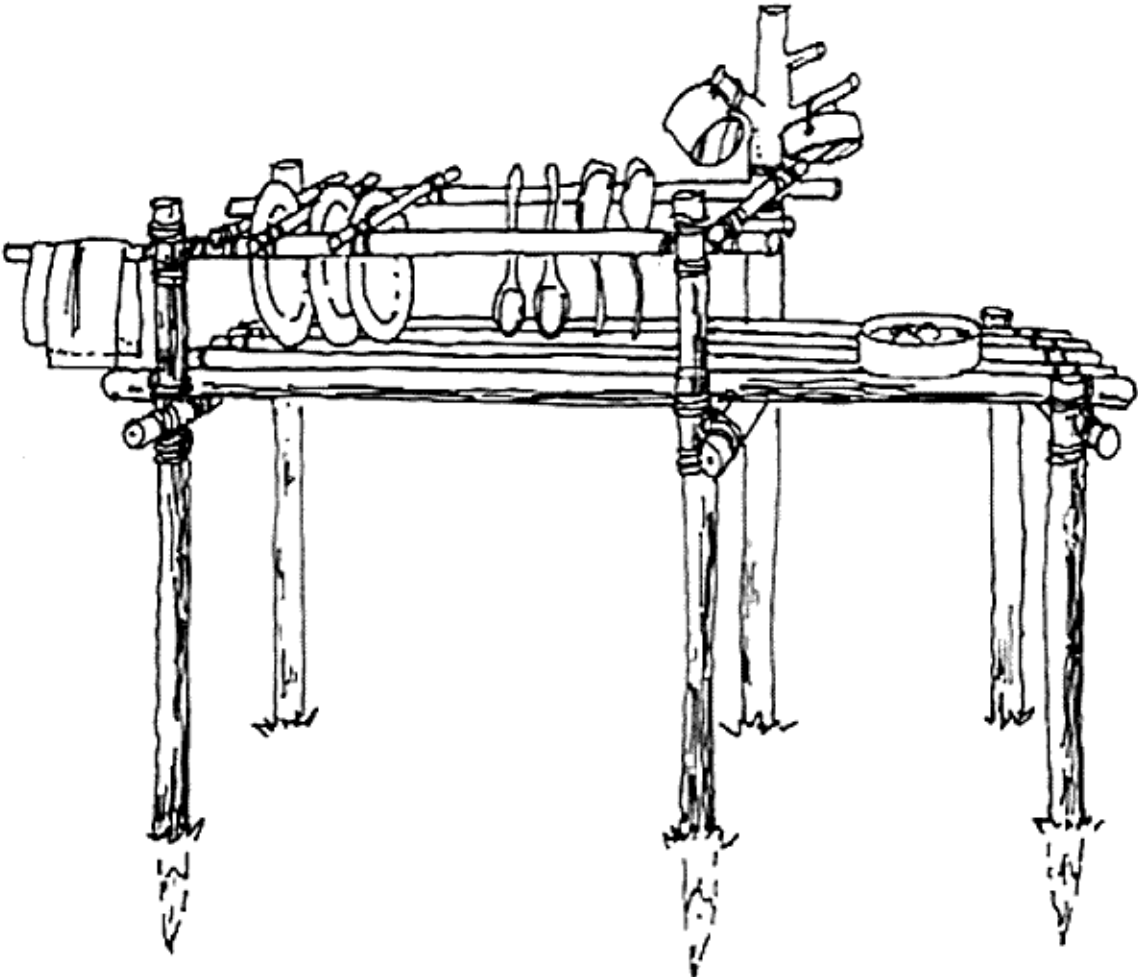


Watering Station

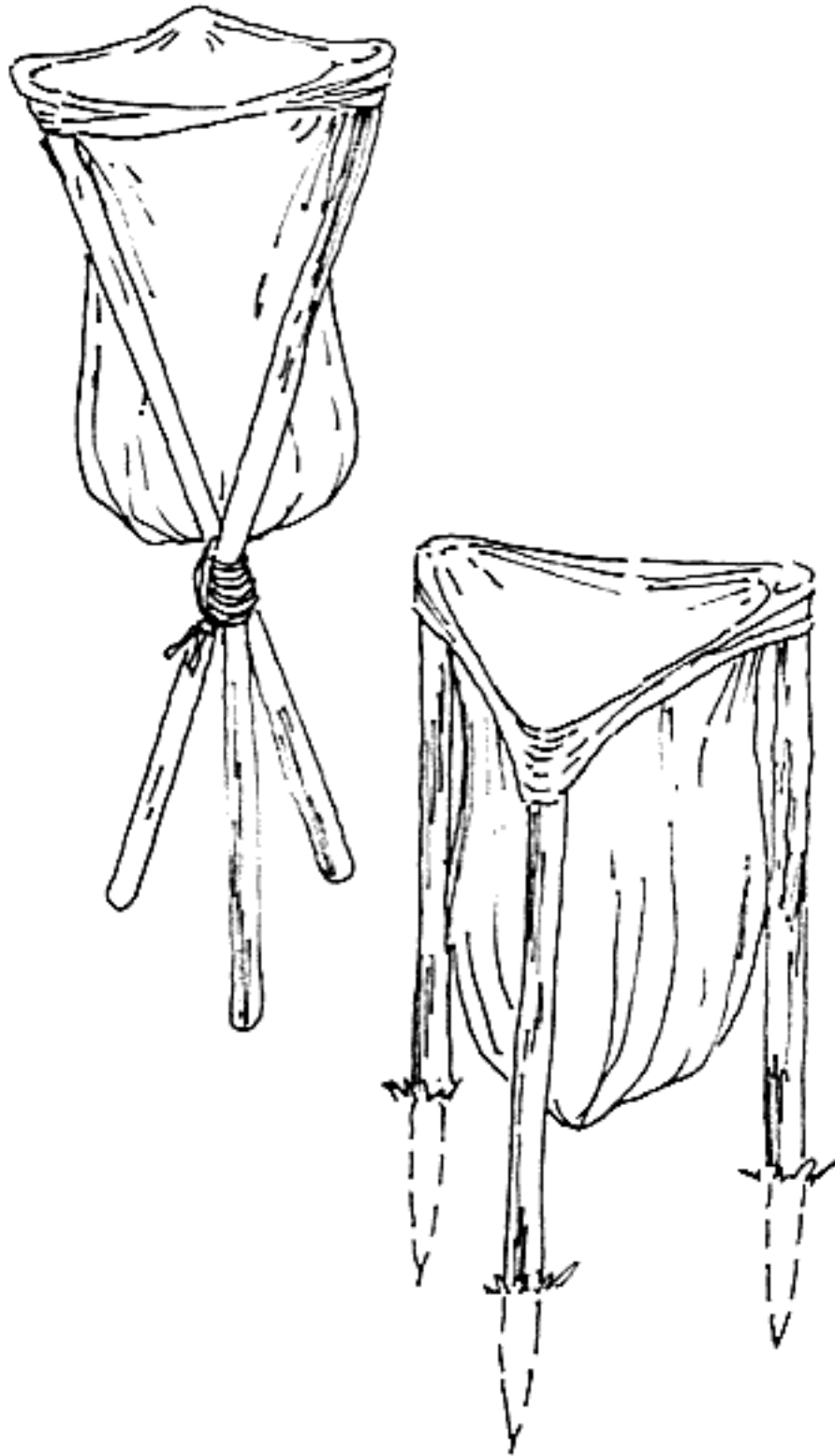


Towel Rack

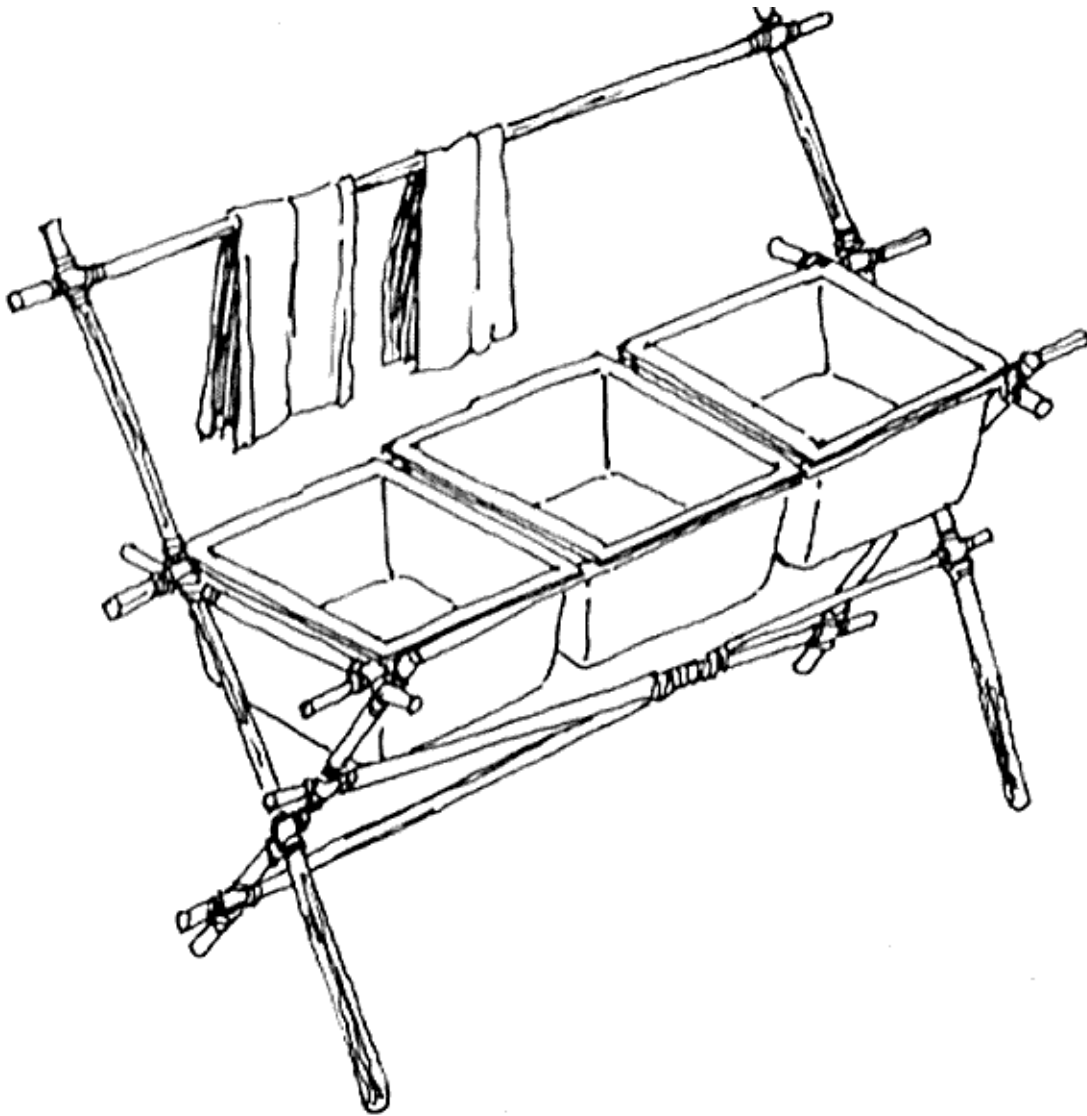
# Kitchen Work Table



# Garbage Bag Holder

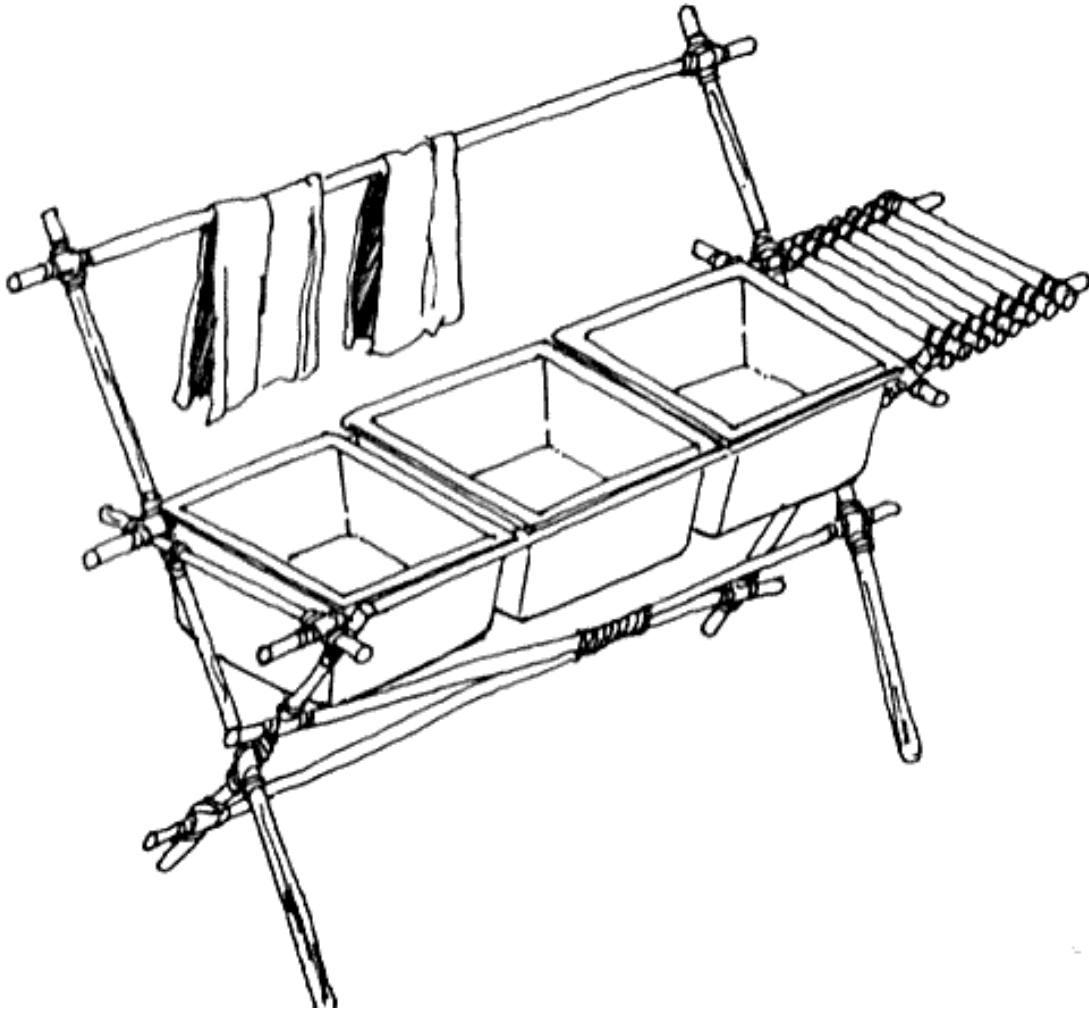


# Wash Basin

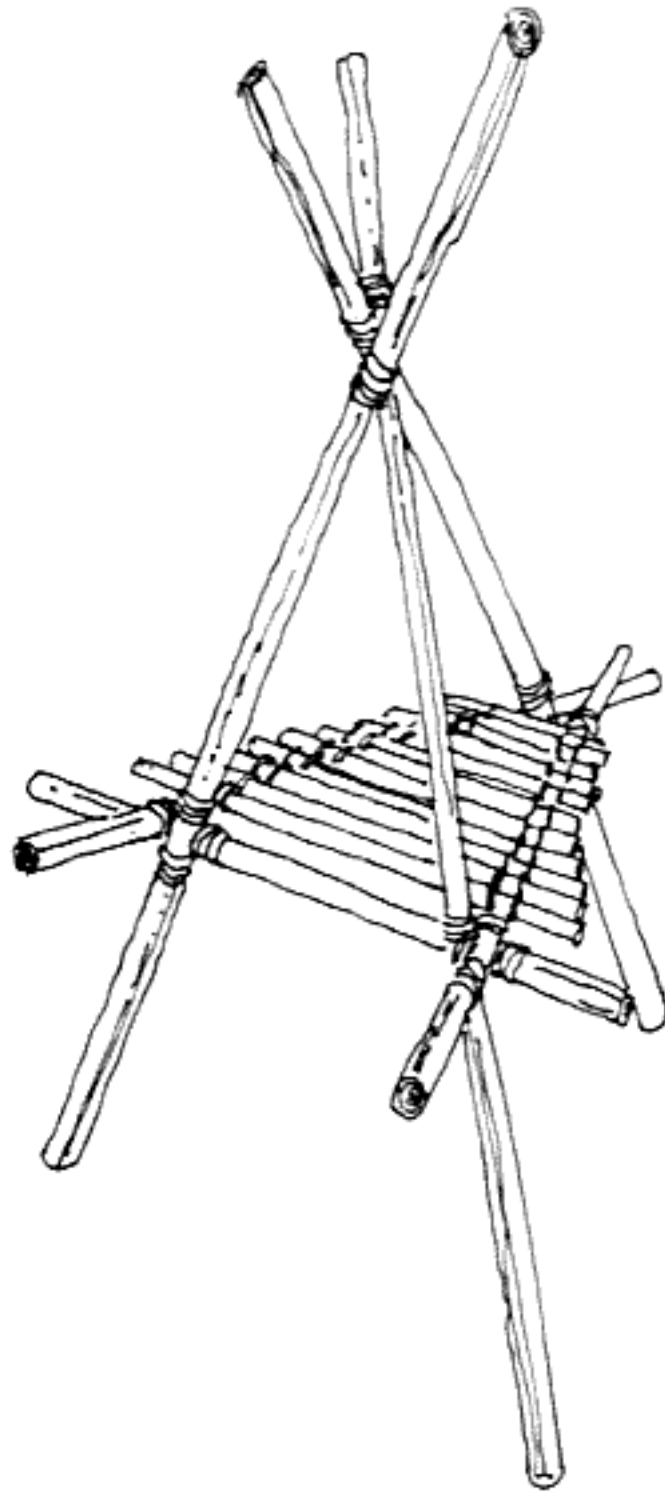




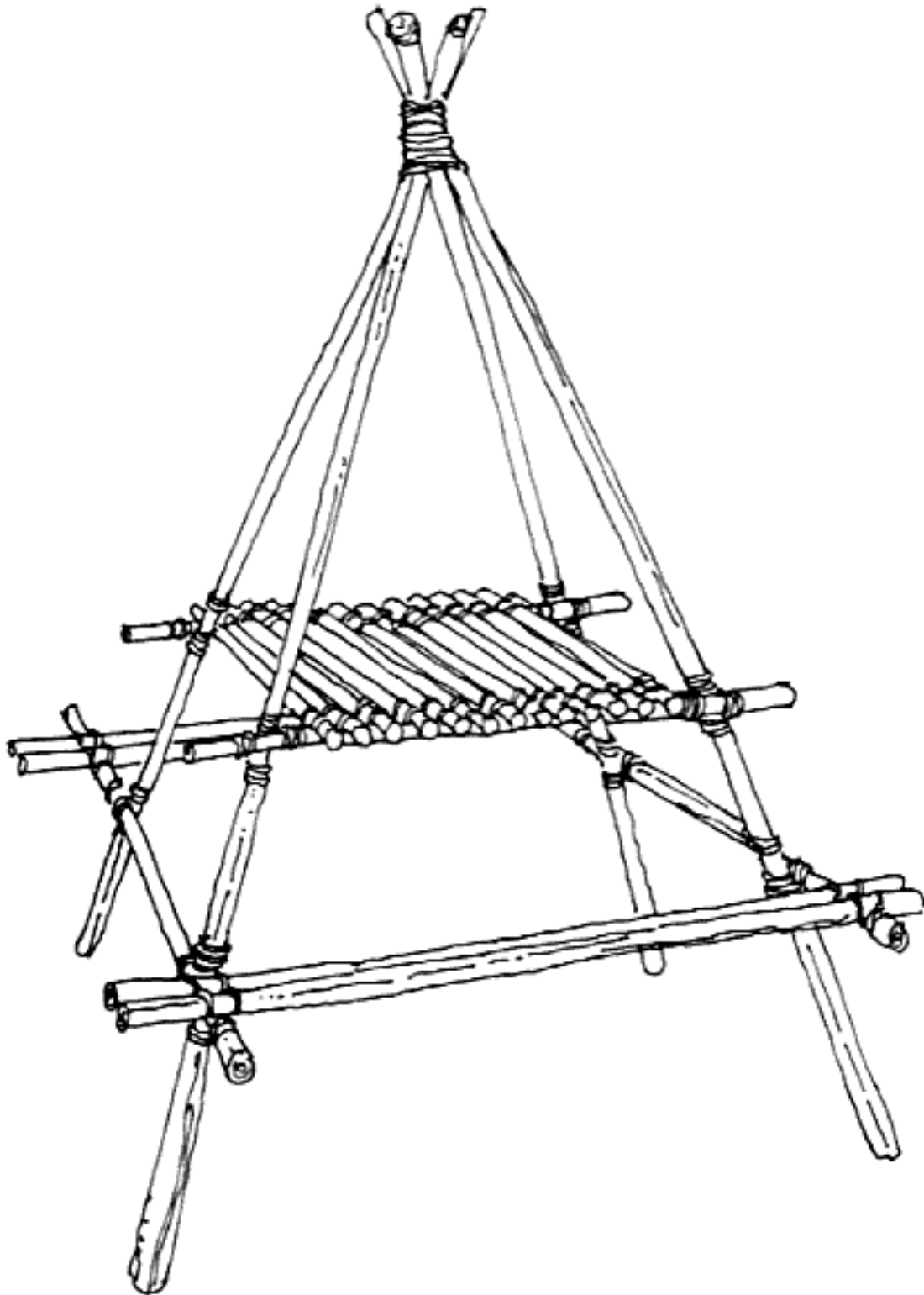
# Wash Basin with Shelf



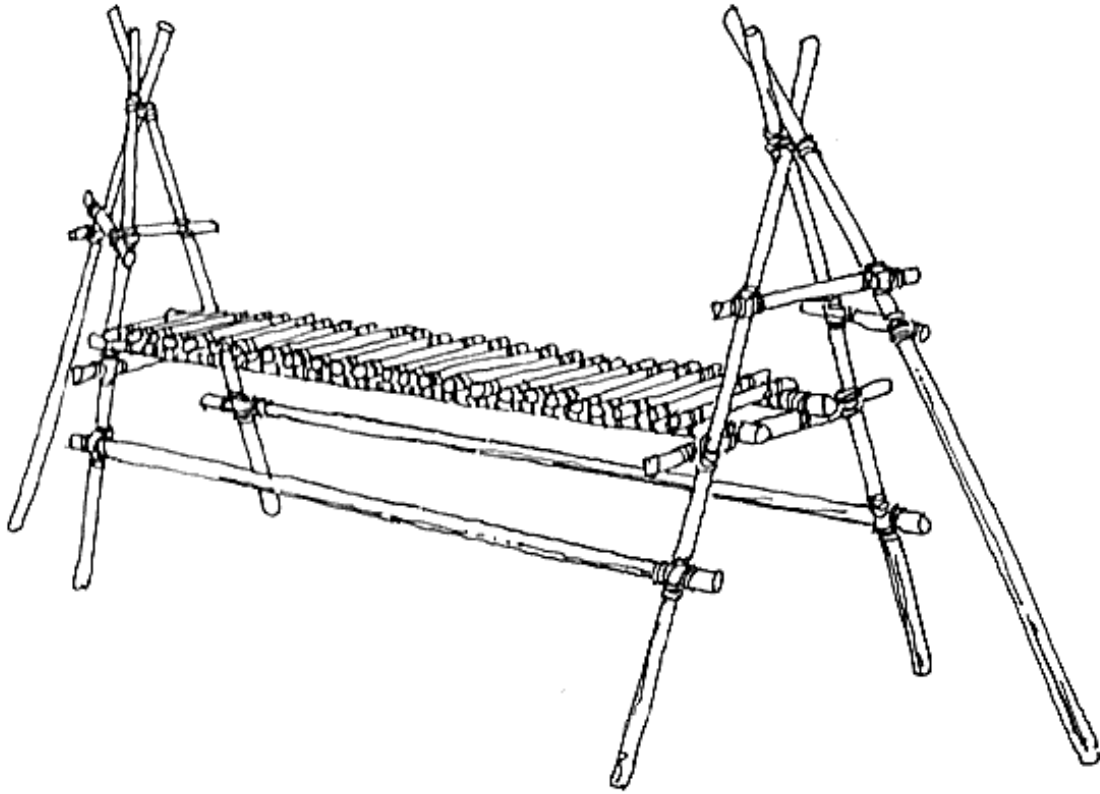
# Camp Table



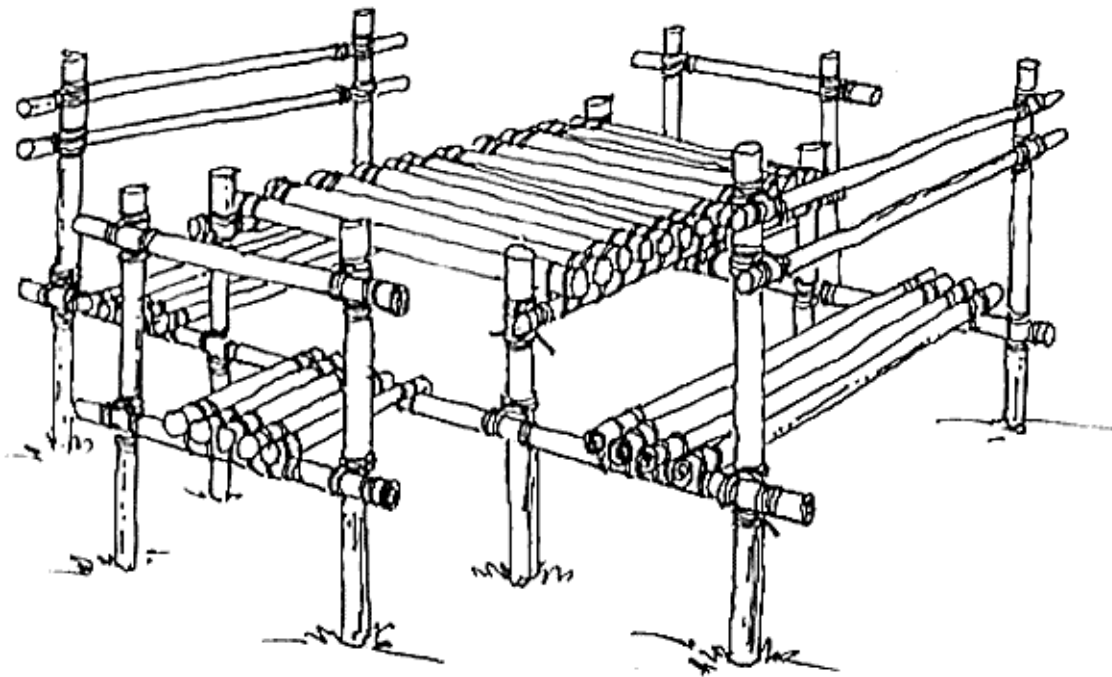
# Camp Table with Seats



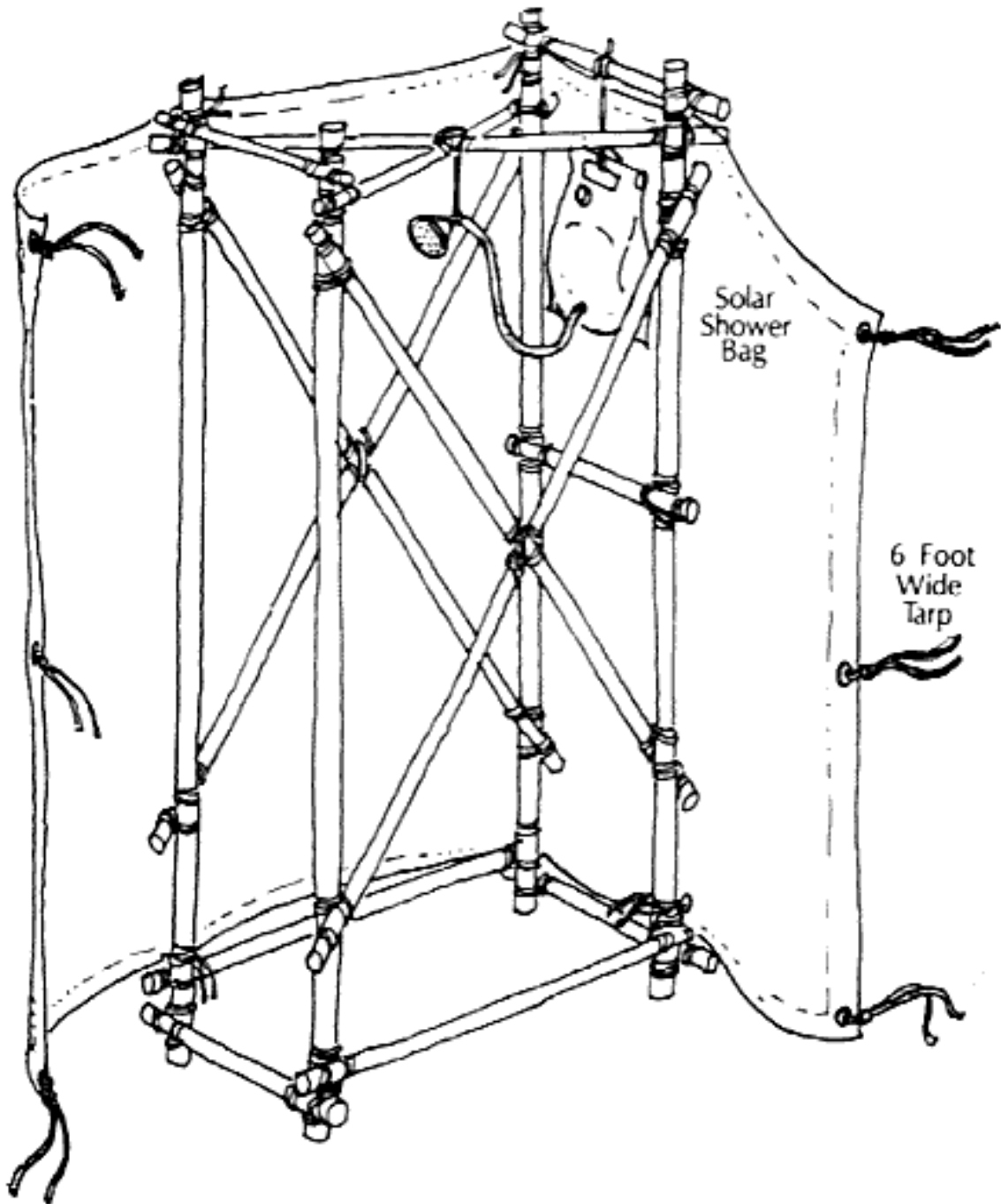
# Chippewa Cooking Fire Stand



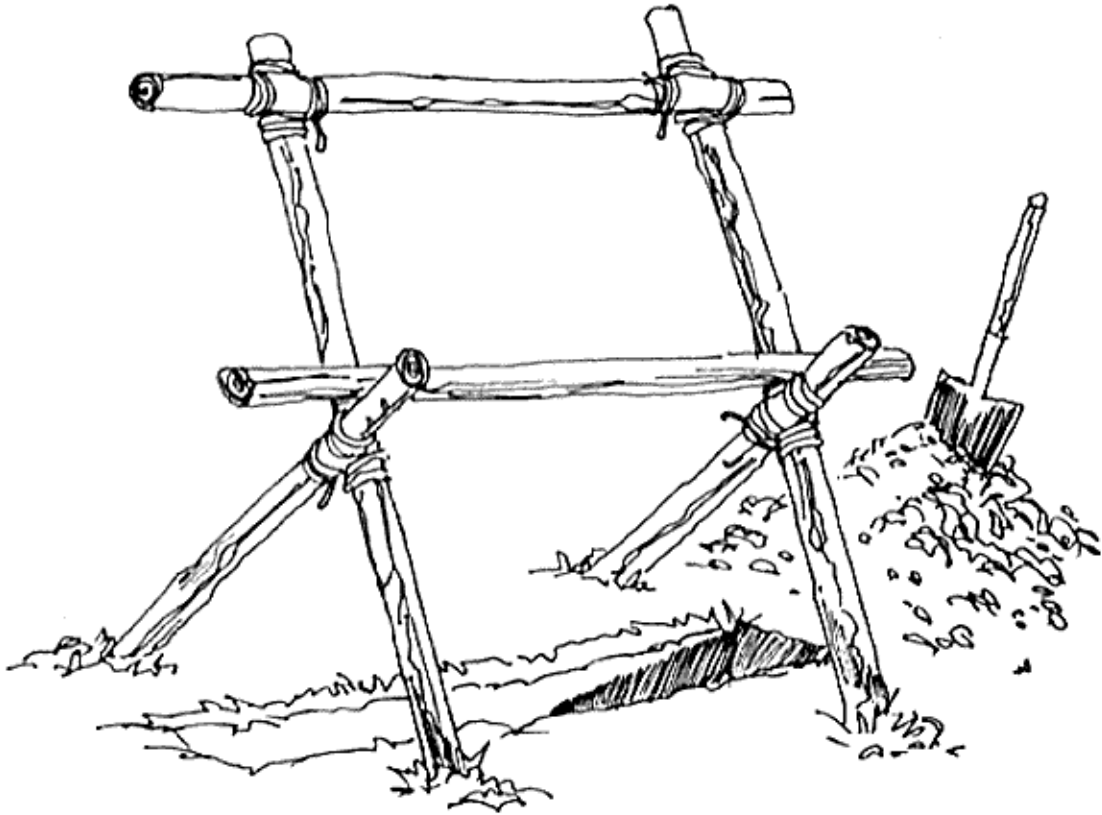
## Camp Table with Bench and Seat



# Shower



# Latrine

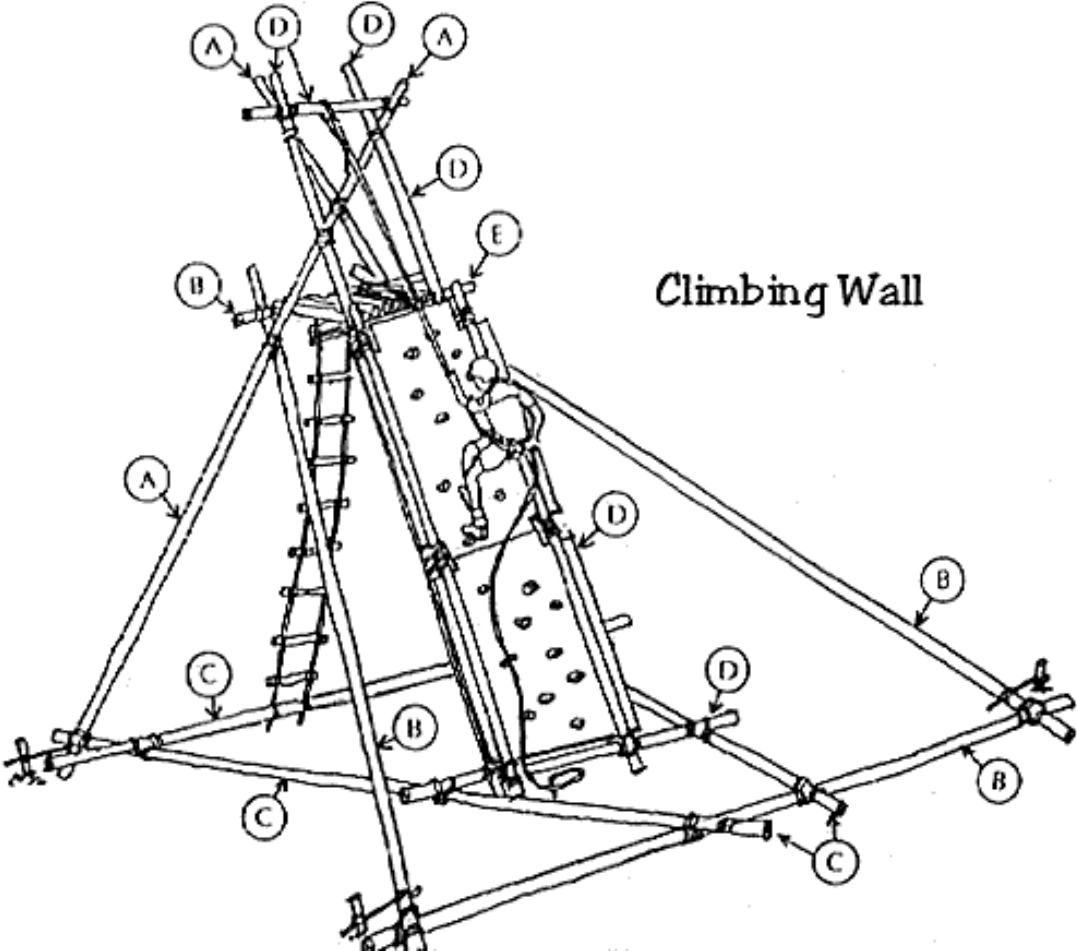




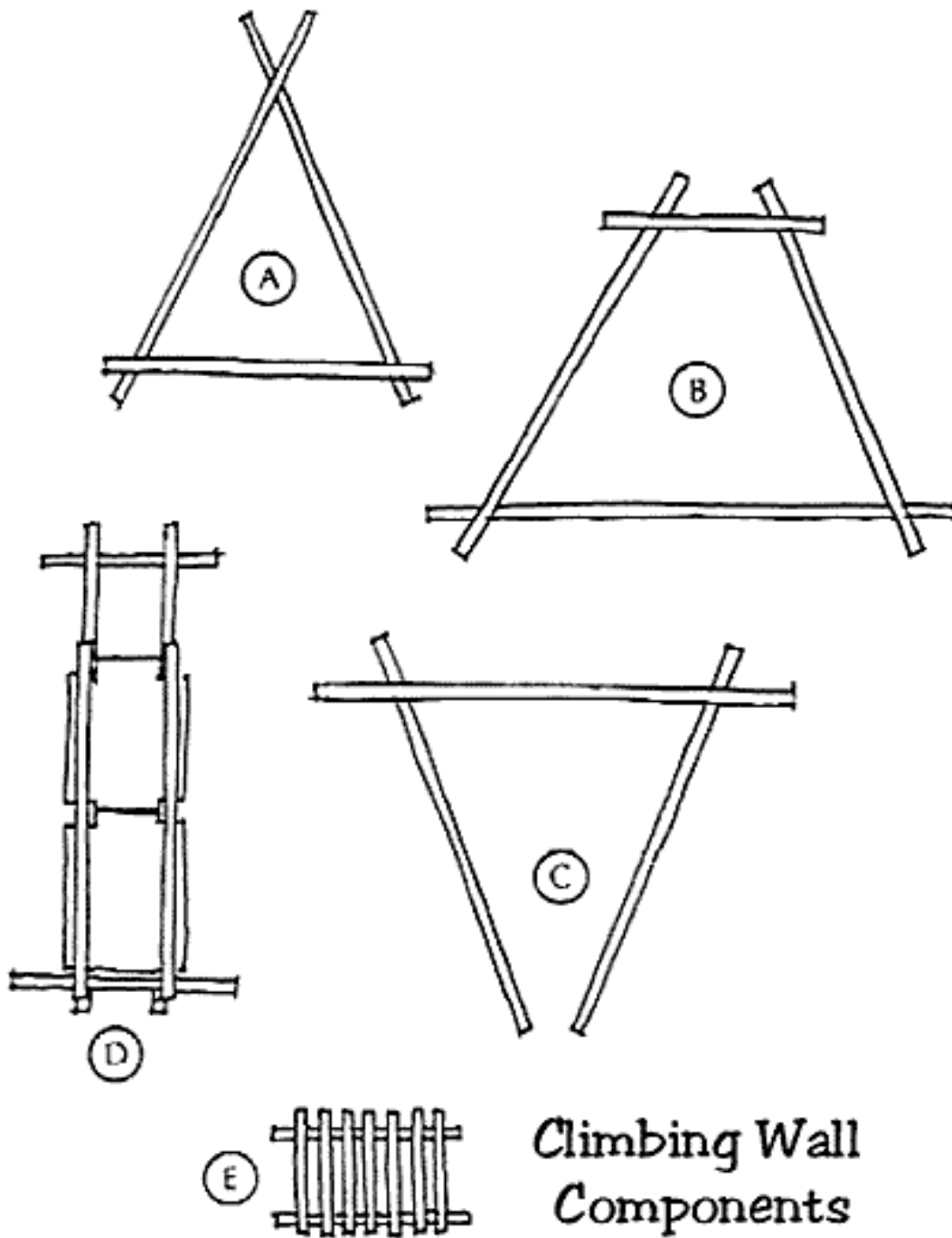


# Miscellaneous Projects

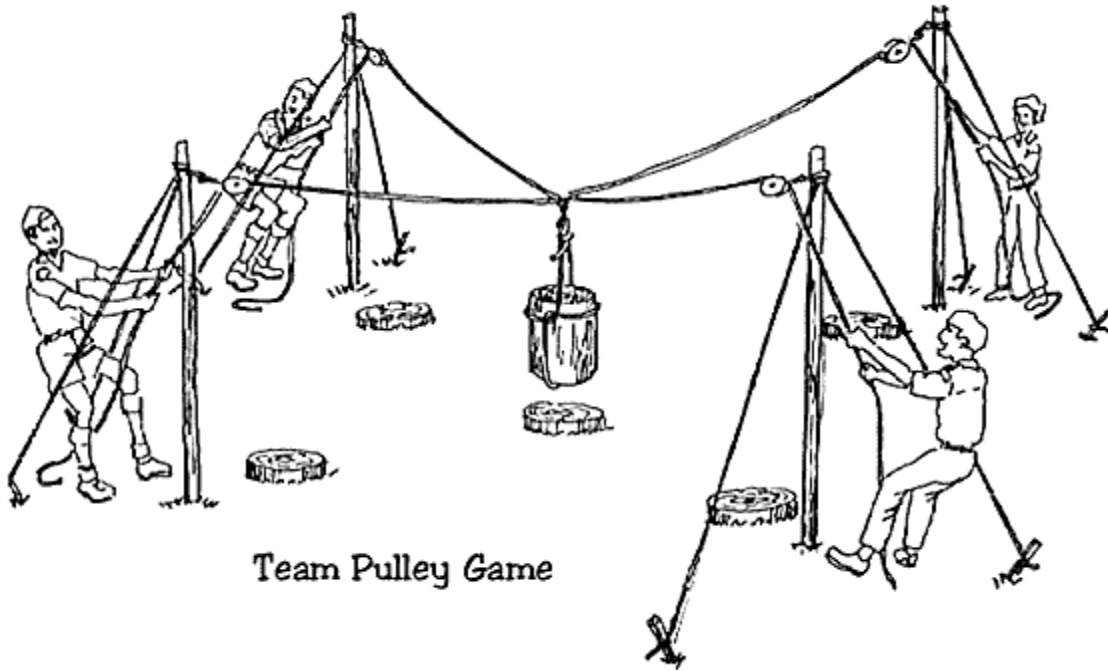
# Climbing Wall



# Climbing Wall Components

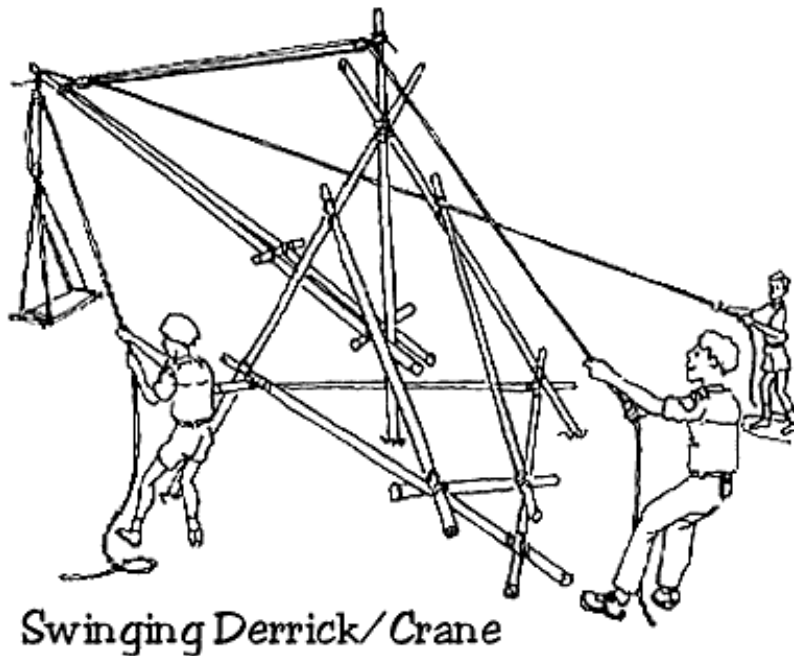


# Team Pulley Game



Team Pulley Game

# Swinging Derrick/Crane



Swinging Derrick/Crane

# Scaffold Hitch

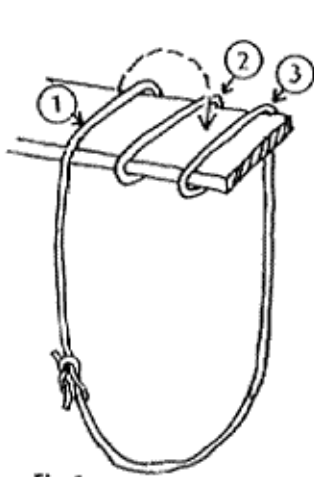


Fig. 1



Fig. 2

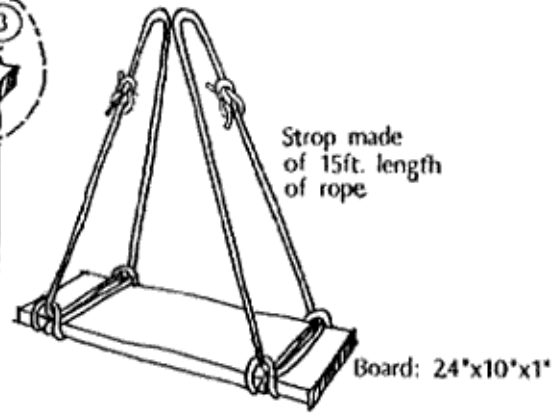
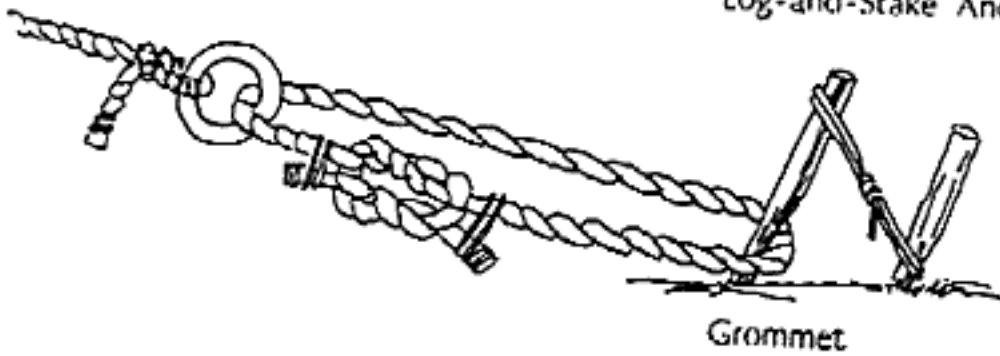
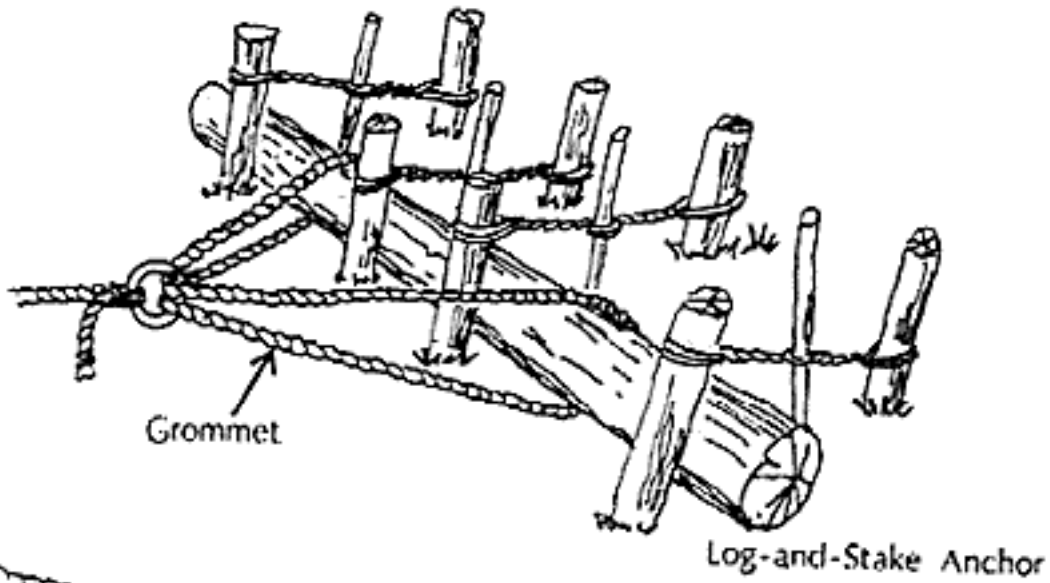
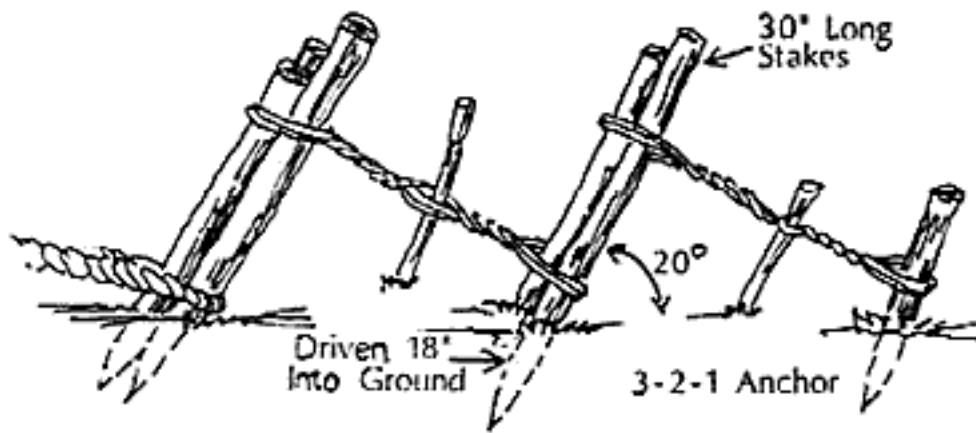


Fig. 3

## Scaffold Hitch

# Pioneering Anchors



# Ladder Hitch

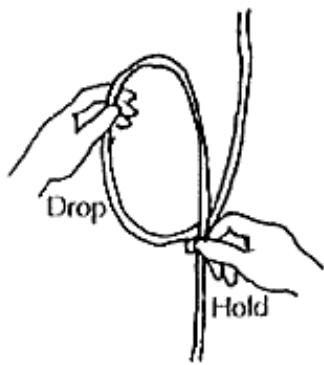


Fig.1



Fig.2

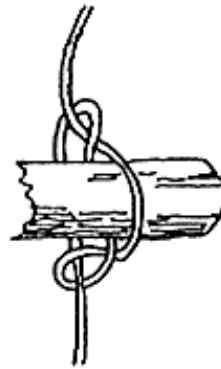


Fig.3

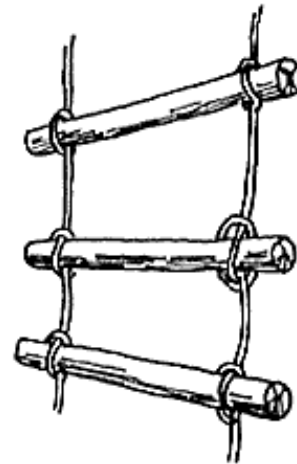
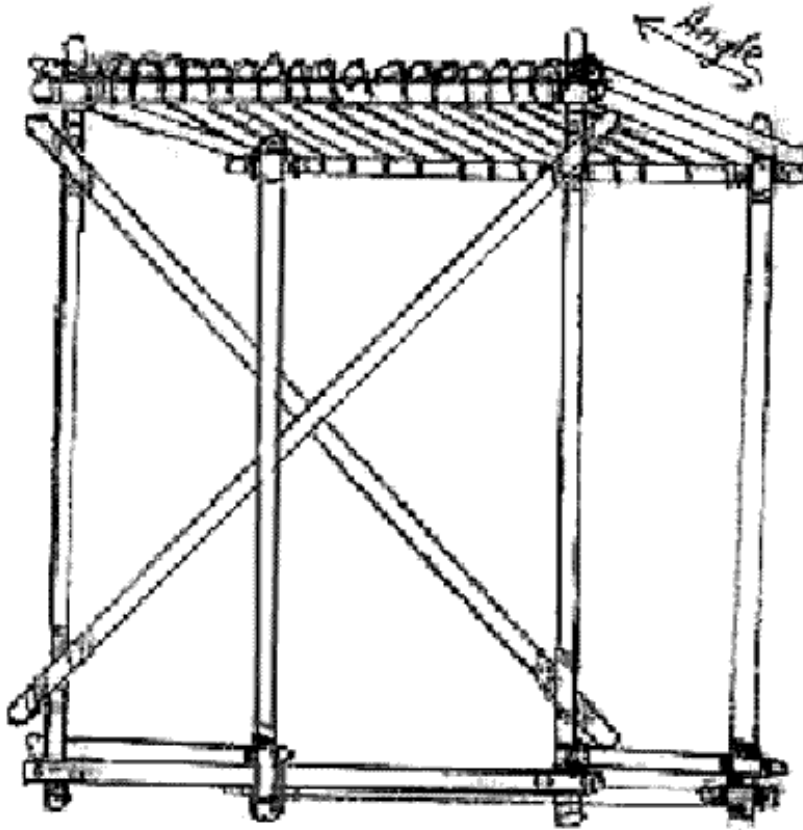


Fig.4

## Ladder Hitch

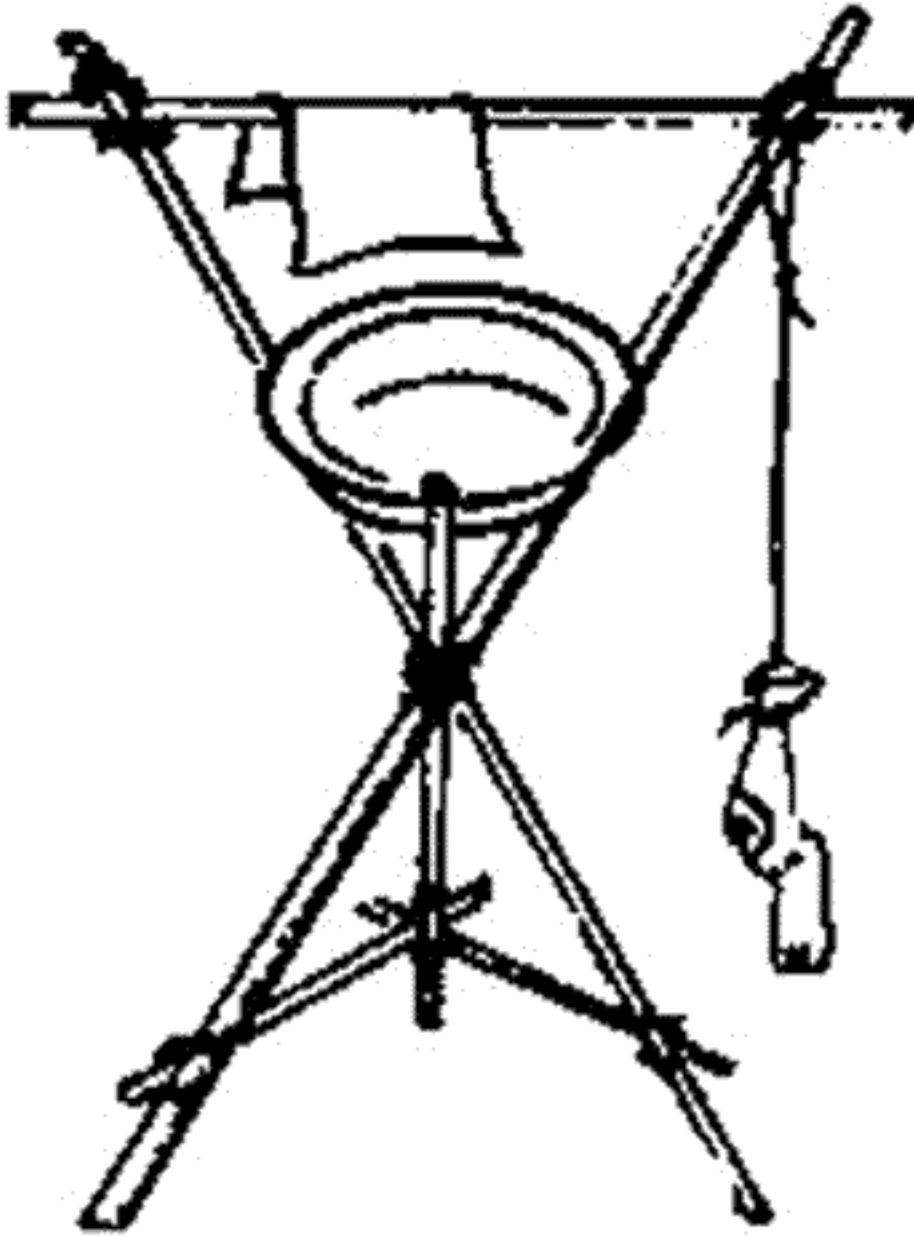
# Camp Podium

Camp Podium

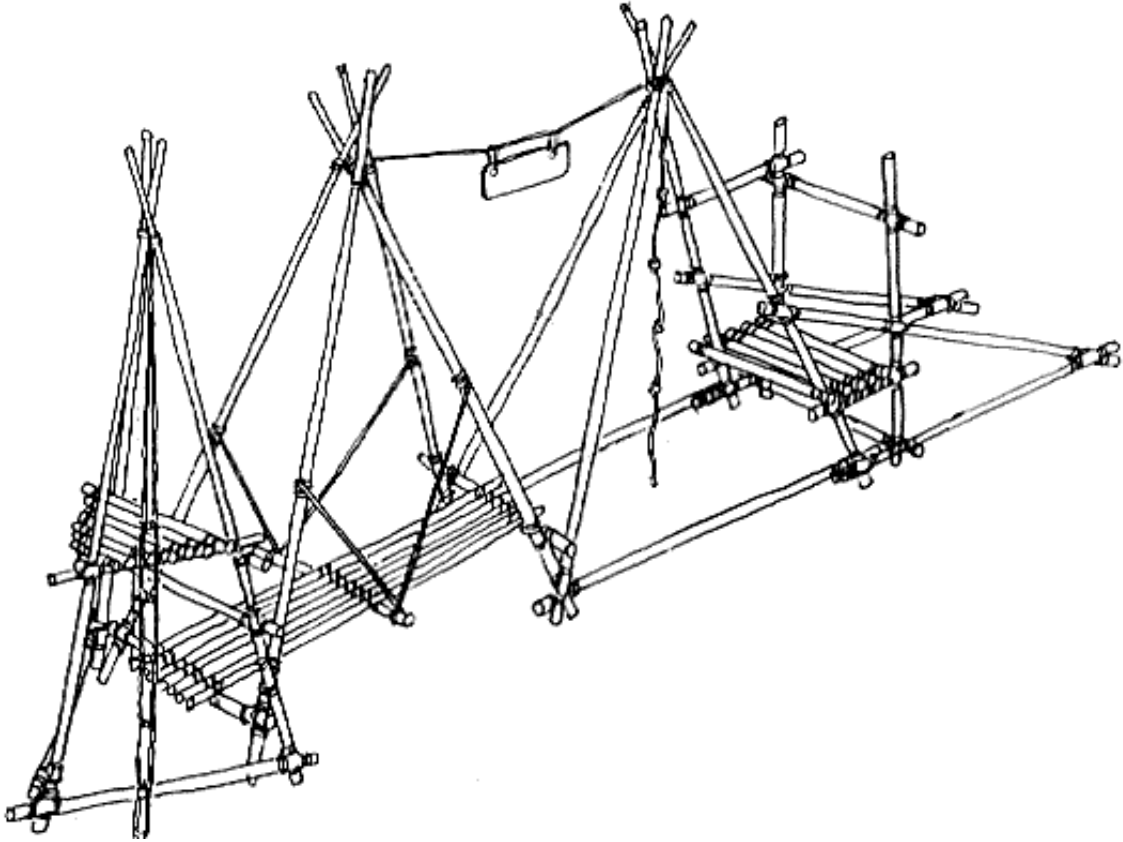




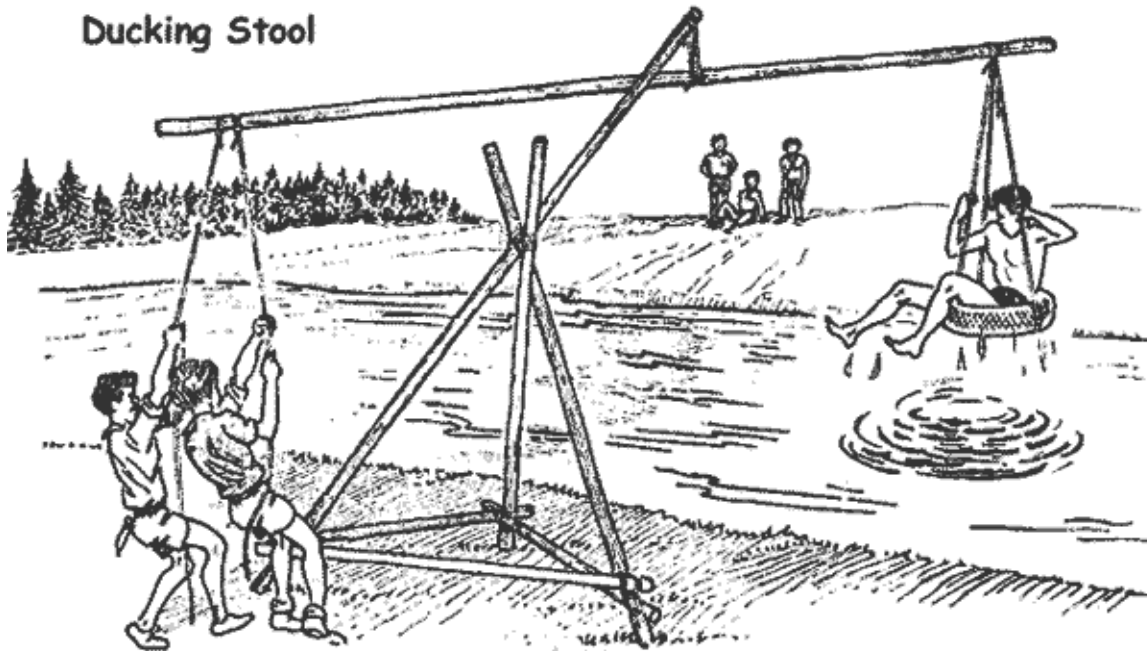
# Wash Basin



# Kim's Gym

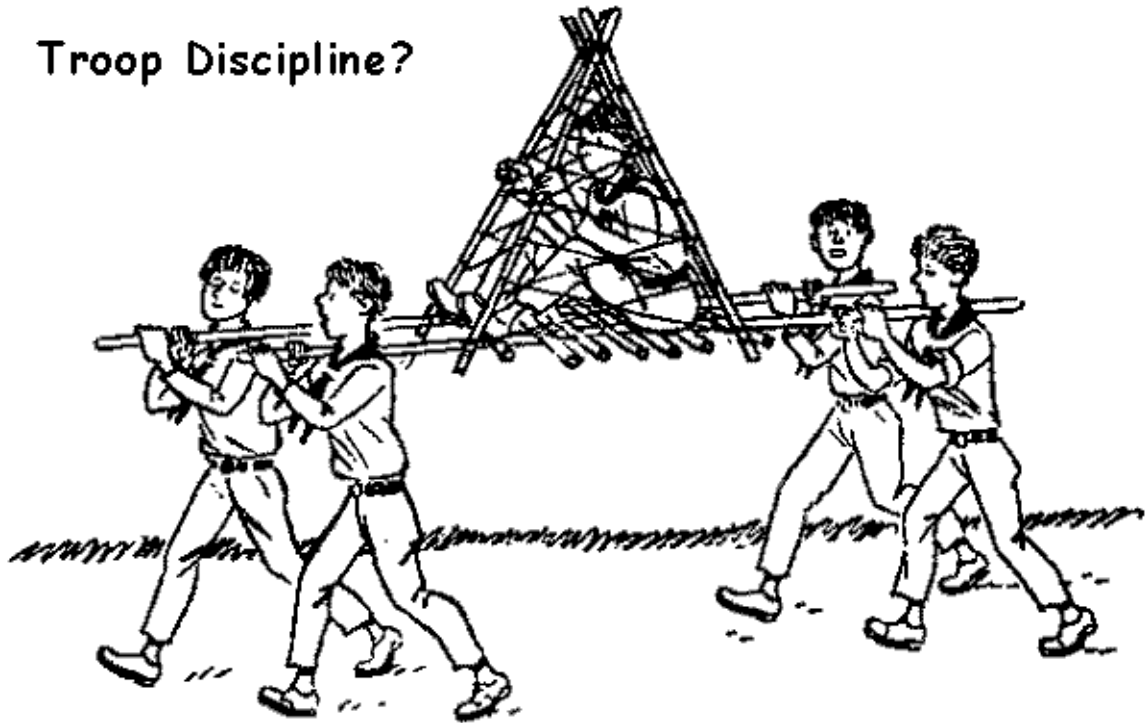


# Ducking Stool

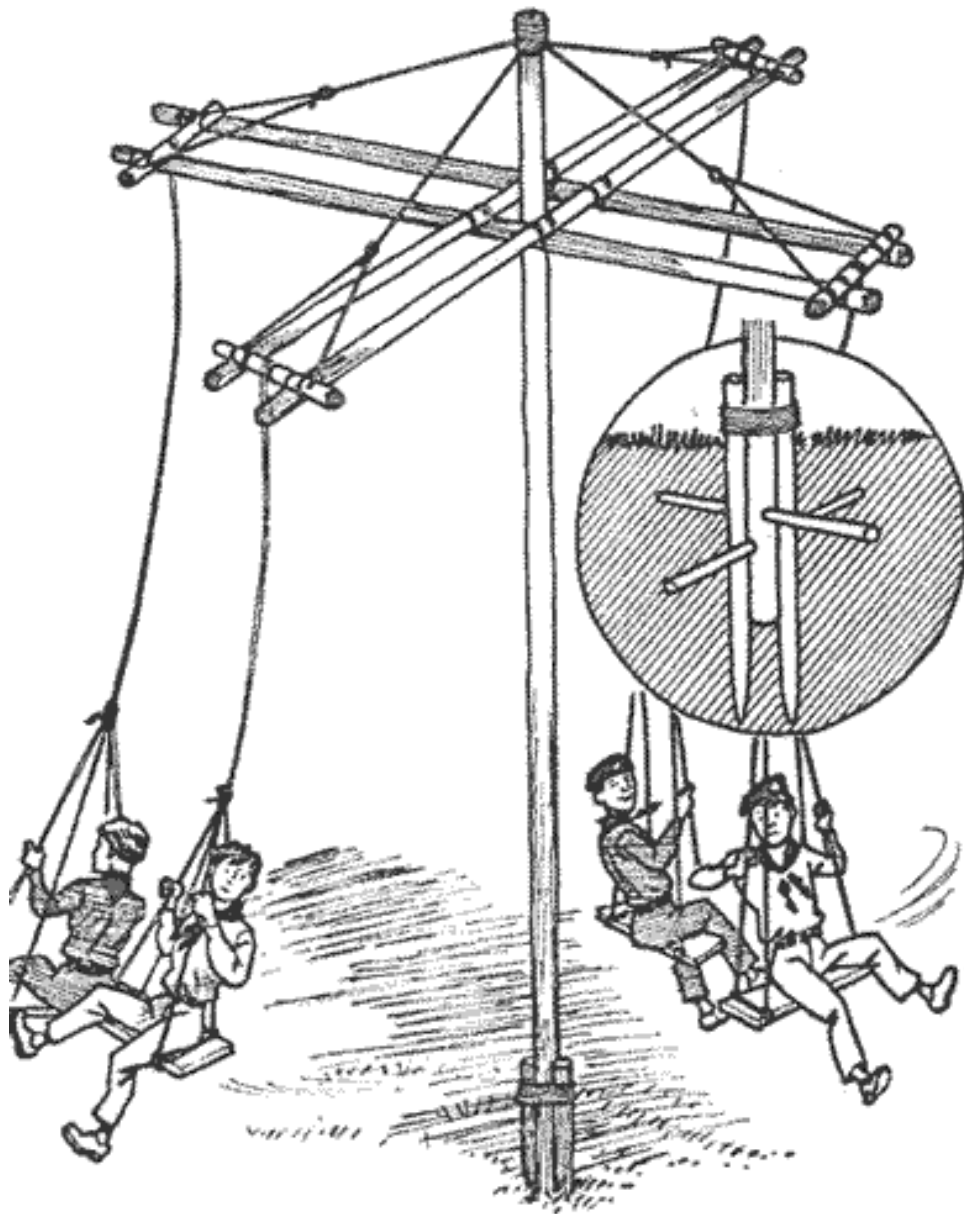


# Troop Discipline?

Troop Discipline?



# Cambridge Merry-Go-Round



Cambridge Merry-Go-Round